



Chain of Union

In the physical performance of the chain of union, that we can see the meaning of *catena aurea* put in work: a bond uniting brothers beyond time and space; the communication of sacred tradition (one hand receives, one hand gives); the realization of unity through multiplicity (the unity of the chain through its mails). There are some supplementary connotations that show us more: the circle of the chain is a sacred figure, the best-known symbol of perfection, therefore representing both the perfection of God and the perfection of the ideal plan that created the cosmos. When arranging themselves in a circle, the Masons clearly define their chain of union as *catena aurea*, the great link with the greatness, the efficiency, and the power of the sacred. Their bare hands speak about the honesty of hearts, and their joining together in the same position invokes the values of fraternity. In fact, the chain of union may be considered as a higher expression of the fraternal love, based upon agape, the tremendous, invincible, overwhelming, and pure love of God, the core of the *catena aurea*. The biblical verse quoted by Irène Mainguy, a fragment of one of the prayers addressed by Jesus to God, is really the ultimate meaning of the Masonic chain of union: “that they may be one, even as We are one”.

Nick Puma  /G\ 

Contacts

Call **303-279-9902** to contact Golden City Lodge #1 AF&AM, Mt Zion Chapter #133 OES, Golden Chapter #5 RAM, Jefferson Council #24 R&SM, Jefferson Highlands Commandery #30, Friendship Court #7 Amaranth, Bethel #43 Job's Daughters, Columbine Assembly #96 Rainbow for Girls, and Golden Chapter DeMolay

Call **303-861-4261** for Denver Consistory or **1-866-289-6797** for Scottish Rite Child Language Disorders Foundation

Call **303-455-3570** for El Jebel Shrine or **1-800-237-5055** for Shriners Hospital or Burn Center for Children.

Call **303-756-9489** for the Robert Russell Eastern Star Masonic Center and Village.

Fees for Degrees is \$150

2022 Annual Dues and Per Capita

\$207 – Regular Members (\$125 + \$82)
\$182 – 65+ years of age with 25+ years as a MM
(\$100 + \$82)

Items for Sale

Golden Lodge T-Shirt.....	\$10.00
Golden Lodge Polo-Shirt.....	\$15.00
Further Light (booklet).....	\$ 8.00
Clear Text Key (MM).....	\$35.00

The Golden City Temple Facility is Available!

For weddings, receptions, anniversary, graduation, reunions, gatherings, recitals, plays, meetings and the like. The facility is beautiful, functional, and affordable!

Please contact the GMTA **303-279-9902** or visit <http://www.goldencitylodge1.org/calendar.html> for rental fees and availability.

Veterans and First Responders

We are adding your service to our database. Please advise the Secretary if you have served or are serving in the military (your branch) or if you are/were a first responder.

NON-PROFIT ORG
U.S. POSTAGE PAID
GOLDEN, COLO.
PERMIT No. 91

DATED MATERIAL

Golden City Lodge No. 1

A.F. & A.M.

400 Tenth Street

Golden, Colorado 80401

Return Service Requested



Golden City Lodge #1 A.F. & A.M.

Chartered October 17th, 1860

September 2022

Masonic Temple Street / Mailing Address

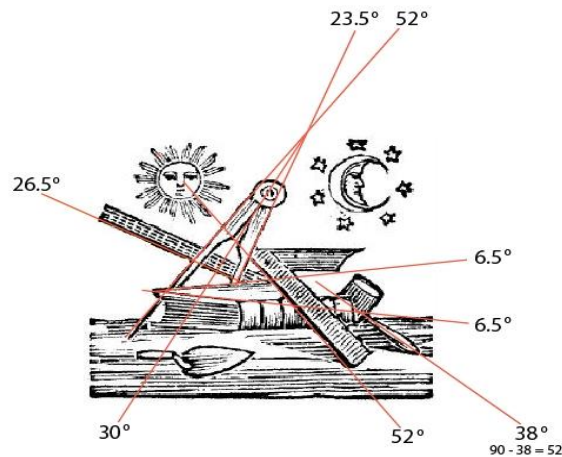
Golden City Lodge No. 1 A.F. & A.M.
400 10th Street
Golden, Colorado 80401

Masonic Temple Phone

(303) 279-9902

Masonic Temple Web Site

www.GoldenCityLodge1.org



Message of the Worshipful Master

Brethren,

First and foremost, I hope you all had a wonderful summer! I was able to escape work a few weeks and spend quality time with my family either in Chicago, or camping. We are very lucky to have such a magnificent natural playground here in Colorado.

Looking forward to the near future for the Lodge, I'm going to continue to push for more educational meetings. I've sent a request for a speaker for our September 19th meeting and hope to have him confirmed soon but have a backup plan to fill in myself if needed. The first meeting in October is scheduled for a FC degree, so put it on your calendar to come listen to and support your brethren in (my personal favorite) FC degree! I am looking into the possibility of changing up the format of the meetings this fall. I have made it clear that I want to minimize the "business meeting" aspect of lodge as much as possible. Lodge (in my opinion) should be about men learning and growing together. I'd be happy to entertain any suggestions on a format change you'd like to see.

Finally, I would like to remind all that the Lodge is meant to be a place where we all meet on the level. Please remember to be mindful of the topics of conversation and/or comments while in Lodge. If you feel strongly about something, please address me personally first and I will facilitate a conversation if needed. Remember, "If a man does not keep pace with his companions, perhaps it is because he hears a different drummer. Let him step to the music he hears, however measured or far away." - Henry David Thoreau

Fraternally,
WM Tom McKean

September Birthdays

Brother.....William Chapman
 Brother.....Larry Gilleland
 Brother.....Benjamin Miller
 Brother.....Donald Senich
 Brother.....James Tynan

Golden City Lodge #1 A.F & A.M.

2022 Officer Line

Worshipful Master.....Thomas McKean
 720-789-4483
tcmckean@gmail.com
 Senior Warden.....Andrew Smith
 Junior Warden.....Benjamin Miller
 Treasurer.....Richard Wenzell
 Secretary.....Ryan Puckett
 720-218-0770
secretary@goldencitylodge1.org
 400 10th St, Golden, CO 80401
 Senior Deacon.....Nick Puma
 Junior Deacon.....Aaron Combe
 Senior Steward.....Devon Campbell
 Junior Steward.....David Buckingham
 Chaplain.....Bill Ott
 Marshal.....Drew Albrecht
 Tiler.....Craig Petty
 District Lecturer.....Michael Tims

2022 Committees

(first member listed is chairman)
 Welfare.....Thomas McKean
 Tom Zumalt, Andrew Smith
 Finance.....Andrew Smith
 Rick Wenzell, Jon Sanders
 Grievance.....Tom Zumalt
 Thomas McKean, Lloyd McKean
 Posting.....Benjamin Miller
 Thomas McKean, Byron Walker, Chris Westeroff
 Memorials.....Thomas McKean
 Tom Zumalt, Andrew Smith, Rick Wenzell
 Investments.....Victor Walker
 Jon Sanders, Drew Albrecht
 Scholarship.....Thomas McKean
 Ryan Puckett, Robert Ceriale
 Technology.....Ryan Puckett
 Tom Zumalt
 Education.....Benjamin Miller
 Nick Puma, Byron Walker
 Music.....Tom Zumalt
 Benjamin Miller, Thomas McKean

Events Schedule

September 19th Stated Meeting

Pizza, Pool, and Darts

1st and 3rd Wednesdays at 6pm
 Come and enjoy some fellowship. Bring a friend.

Mt Zion OES Pancake Breakfast

4th Sunday at 8am to 11am. All you can eat
 pancakes, eggs, sausage, and hash browns

Youth Group Information

Bethel #43 Job's Daughters

2nd and 4th Mondays, 6:45pm
 (girls, 11-18 / jobes2be 8-10)

Columbine Assembly #96 Rainbow for Girls

1st and 3rd Thursdays, 7pm
 (girls, 10-18 / pledges 8-9)

Golden Chapter Order of DeMolay

1st and 3rd Tuesdays, 7pm
 (boys, 12-18, squires 9-11)