

GOLDEN CITY LODGE NO. 1 A.F. & A.M.

2019 STANDING COMMITTEES

WELFARE

P. Good, (Chair)
W. Page
D. Albrecht

FINANCE

D. Albrecht (Chair)
D. Buckingham
B. Ceriale
C. Noah

MEMORIAL FUNDS

P. Good,
W. Page
Drew Albrecht

POSTING

J. Thornton (Chair)
B. Walker
P. Good
C. Wehsterhoff

GRIEVANCE

W. Page (Chair)
J. Sellars
D. Hayman

INVESTMENTS

J. Bartos (Chair) (2021)
M. Smith (2019)
V. Walker (2020)
R. Wenzel (non-voting)

2019 SPECIAL COMMITTEES

SCHOLARSHIPS

P. Good (Chair)
B. Walker
R. Puckett

TECHNOLOGY

W. Page (Chair)
K. Alcox
T. Zumalt,
P. Bood

EDUCATION

W. Page (Chair)
P. Good
D. Albrecht

MUSIC

P. Good (Chair)
R. Ceriale
W. Page
D. Hayman

GOLDEN MASONIC TEMPLE ASSOCIATION BOARD OF DIRECTORS

R. Puckett, President (2018-2022)
T. Zumalt Sec/Treasurer (2019-2023)
V. Walker (2016-2019)
J. Bartos (2-19-2010)
J. Sellars (2017-2021)

CURRENT PAST & AFFILIATED MASTERS

Merritt Smith:1967	Chris Westerhoff 2013
Arthur Toney: 1974	Steven Walker, 2014
James Arbuckle: 1980	Kevin Alcox, 2015
Michael Mills:1984	Robert Ceriale, 2016
Timothy Johansson: 1985	Ryan Puckett 2017
Charles Robinson: 1989	Thomas Zumalt 2018
Craig Petty: 1997	Larry Bangert
Cliff Addenbrooke: 2001	Walter Cooley
Byron Walker: 2002	Frank Duff
Byron Walker: 2003	Howard Hohnstien
Richard Wenzel: 2005	John Hohnstein
David Cooper: 2006	Lloyd McKean
Thomas Dunn: 2007	Charles Noah
Thomas Dunn: 2008	James Norris
Michael Tims: 2009	Ronald Richards
Richard Wenzel: 2010	
Daniel Hayman: 2011	

- Fees for Degrees: \$150
- 2019 Annual Dues and Per Capita
 - Regular Members: \$100 + \$67 = \$167
 - 65+ years of age plus 25+ years as MM: \$75 + 67 = \$142

Items for Sale

Golden Lodge Logo T-shirts	\$10.00
Golden Lodge Logo Polo-shirts	\$15.00
Further Light (booklet)	\$8.00
Clear Text Key (MM)	\$33.00
Colorado Craftsman	\$10.00

TEMPLE CARETAKER AND SCHEDULER

Craig Petty
Temple Telephone (303) 279-9902

NON-PROFIT ORG
U.S. POSTAGE PAID
GOLDEN, COLO.
PERMIT No. 91

DATED MATERIAL

Golden City Lodge No. 1
A.F. & A.M.
400 Tenth Street
Golden, Colorado 80401

Return Service Requested



**Golden City Lodge No. 1,
A.F. & A.M.**

Chartered October 17, 1860

April 2019

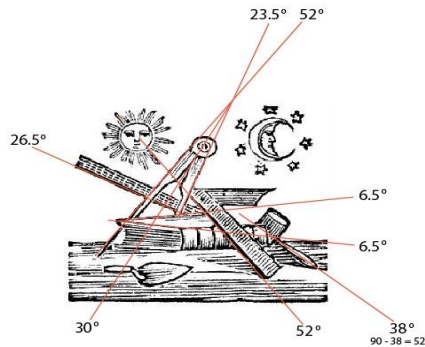
**Masonic Temple Street/Mailing
Address:**

Golden City Lodge No. 1 A.F. & A.M.
400 Tenth Street
Golden, Colorado 80401

Masonic Temple Telephone Number:
(303) 279-9902

Web Site

www.goldencitylodge1.org



**GOLDEN CITY LODGE NO. 1,
A.F. & A.M.**

Golden Masonic Temple, 400 Tenth Street,
Golden, Colorado 80401

Monday, April 1st
6:00 PM dinner*

7:00 PM 3329th Stated Communication

Monday, April 15th

7:00 PM 3330th Stated Communication

Youth Groups

Bethel No. 43, Job's Daughters

2nd & 4th Mondays, 6:45 PM**
(girls, 11 – 18, jobs2be 8 – 10)

Columbine Assembly No. 96, Rainbow for Girls

1st and 3rd Thursdays, 7:00 PM**
(girls, 10 – 18, pledges 8 – 9)

Golden Chapter, Order of DeMolay

1st and 3rd Wednesdays, 7:00 PM**
(boys, 11 – 18, squires 9-10)
** Master Masons Welcome

Other Events

Candidate Coaching by appointment. Please call:
601-870-8366

Every 4th Sunday, 8 – 11 am. Pancake Breakfast at
Fellowship Hall

Message of the Worshipful Master

Brethren,

With the warmer weather of spring I hope to see a lot more of you coming to Lodge. As far as this month goes, there isn't much going on. April 1st will be usual business and a guest speaker is still in the works for April 15th. Please email Drew Albrecht for dinner reservations for the 1st of April at: drwalbrecht@yahoo.com. **No Agape Dinner is scheduled for the 15th of April and meeting time will start at 7:00PM.**

I have reserved the dunk tank for Buffalo Bill Days and we will need help manning the booth as well as the child ID booth. Please call, or email either WB Byron Walker or myself if you are able to help us with that: patrickgood@comcast.net, byrongalicem@gmail.com. **THIS IS A VERY IMPORTANT EVENT FOR OUR LODGE AND WE NEED ALL THE SUPPORT FROM THE BRETHREN THAT WE CAN GET.** Buffalo Bill Days is a great opportunity for us to convince the world of Freemasonry's good effects.

Last but not least, there are a few good men that I'd like to thank and congratulate. Worshipful Brother Larry Bangert has been a Mason for 50 years! Thank you for all you have done for the craft Worshipful Brother Larry! Also, Brother Larry Gilleland will be stepping in as Senior Deacon for the remainder of the year. It is great to have you back Brother Larry! Thank you for stepping in and helping the lodge. Last but not least, Brother Joseph Thornton has moved to Louisiana for a better career. Brother Joe is an upstanding man and a great asset to our lodge. We will miss you very much Brother Joe! Please visit us whenever you get a chance.

Fraternally,

WM Patrick Good

CONTACTS

- Call **303-279-9902** to contact Golden City Lodge No. 1 AF&AM, Mt. Zion Chapter No. 133 OES, Golden Chapter No. 5 RAM, Jefferson Council No. 24 R&SM, Jefferson Highlands Commandery No.30, Friendship Court No. 7 Amaranth, Bethel No. 43 Job's Daughters, Columbine Assembly No. 96 Rainbow for Girls, Golden Chapter DeMolay.
- Call **303-861-4261** for Denver Consistory or **866-289-6797** for Scottish Rite Child Language Disorders Foundation
- Call **303-455-3470** for El Jebel Shrine or **1-800-237-5055** for Shriners Hospital or Burn Center for Children
- Call **303-756-9489** for the Robert Russell Eastern Star Masonic Center and Village

The Golden City Temple facility is available for weddings; receptions; anniversary, graduation, and birthday parties; reunions; gatherings; recitals; plays; meetings and the like. Contact the Temple Board (303-279-9902) for rental fees and availability.

VETERANS AND FIRST RESPONDERS

We are adding your service to our data base. Please advise the Secretary if you have served or are serving in the military services (your branch) or if you are a fireman, police officer, medical first responder, etc.

Did you Know?

We Americans and Masons should not be superstitious about the number 13. In the Great Seal of the United States, there are 13 stars; 13 stripes; 13 arrows in the Eagle's talon; 13 clouds in the glory; 13 letters in the motto; 13 laurel leaves; 13 berries on the branch; 13 feathers in each wing and 13 feathers in the tail.

Source: *A Medley of Masonic Miscellanea* by, E.E. Hedblom.

**GOLDEN CITY LODGE NO. 1,
A.F. & A.M.
2019 OFFICERS**

WORSHIPFUL MASTER: Patrick Good

SENIOR WARDEN: Wyatt Page

JUNIOR WARDEN: Drew Albrecht

TREASURER: Richard Wenzel

SECRETARY: Daniel Hayman
720-808-1326

400 Tenth Street, Golden, CO 80401
Secretary@GoldenCityLodge1.org

SENIOR DEACON: Joseph Thornton

JUNIOR DEACON: Dave Buckingham

SENIOR STEWARD: Steven Walker

JUNIOR STEWARD:

CHAPLAIN: Victor Walker

MARSHAL: Michael Tims

TILER: Craig Petty

DIRECTOR OF THE WORK:
Christopher Westerhoff

DISTRICT LECTURER: Ryan Puckett

