

## Forget Me Not

The Forget Me Not flower symbolizes true love, enduring memory and faithfulness. It is where we get the phrase True Blue. Dormant through the winter they appear dead, but come spring they show their beautiful shades of blue colors.

Freemasons began using the flower in 1926 as a symbol not to forget the poor and desperate. In early 1934, soon after Hitler's rise to power it became evident that Freemasonry was in danger. In that same year "the Grand Lodge of the Sun" in Germany adopted the flower as a substitute for the traditional square and compasses when it was dangerous to openly reveal one was a mason. The little blue flower, the forget me not allowed masons to be able to recognize one another.

In German legend, God named all the plants when a tiny unnamed one cried out "forget me not, O' Lord." God replied "That shall be your name."

In Greek legend, when the creator thought he had finished giving the flowers their colors, he heard one whisper "forget me not." There was nothing left but a very small amount of blue, but the forget me not was delighted to wear such a lite blue shade. Forget me not. We all want to be remembered. We want our families to remember us as loving and supportive and our friends to remember us as loyal and kind. As Masons, we want to be remembered for our charity and brotherly love. We are taught in masonry, charity extends from the grave. We will be remembered for our good deeds and charity to all. Forget me not.

WB John P. Gomen Laurel Lodge #237

## Contacts

Call **303-279-9902** to contact Golden City Lodge #1 AF&AM, Mt Zion Chapter #133 OES, Golden Chapter #5 RAM, Jefferson Council #24 R&SM, Jefferson Highlands Commandery #30, Friendship Court #7 Amaranth, Bethel #43 Job's Daughters, Columbine Assembly #96 Rainbow for Girls, and Golden Chapter DeMolay

Call **303-861-4261** for Denver Consistory or **1-866-289-6797** for Scottish Rite Child Language Disorders Foundation

Call **303-455-3570** for El Jebel Shrine or **1-800-237-5055** for Shriners Hospital or Burn Center for Children.

Call **303-756-9489** for the Robert Russell Eastern Star Masonic Center and Village.

### Fees for Degrees is \$150

#### 2022 Annual Dues and Per Capita

- \$207 – Regular Members (\$125 + \$82)
- \$182 – 65+ years of age with 25+ years as a MM (\$100 + \$82)

#### Items for Sale

Golden Lodge T-Shirt.....	\$10.00
Golden Lodge Polo-Shirt.....	\$15.00
Further Light (booklet).....	\$ 8.00
Clear Text Key (MM).....	\$35.00

### The Golden City Temple Facility is Available!

For weddings, receptions, anniversary, graduation, reunions, gatherings, recitals, plays, meetings and the like. The facility is beautiful, functional, and affordable!

Please contact the GMTA **303-279-9902** or visit <http://www.goldencitylodge1.org/calendar.html> for rental fees and availability.

### Veterans and First Responders

We are adding your service to our database. Please advise the Secretary if you have serviced or are serving in the military (your branch) or if you are/were a first responder.

NON-PROFIT ORG.  
U.S. POSTAGE PAID  
GOLDEN, COLO.  
PERMIT No. 91

DATED MATERIAL

Golden City Lodge No. 1  
AF & AM  
400 Tenth Street  
Golden, Colorado 80401

Return Service Requested



## Golden City Lodge #1 A.F. & A.M.

Chartered October 17<sup>th</sup>, 1860

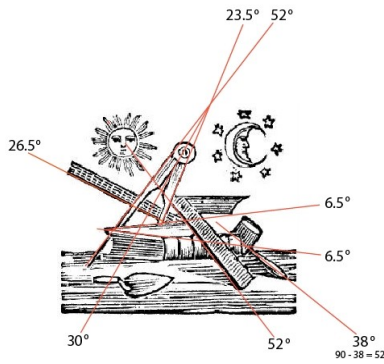
**April 2022**

### Masonic Temple Street / Mailing Address

Golden City Lodge No. 1 A.F. & A.M.  
400 10<sup>th</sup> Street  
Golden, Colorado 80401

**Masonic Temple Phone**  
(303) 279-9902

**Masonic Temple Web Site**  
[www.GoldenCityLodge1.org](http://www.GoldenCityLodge1.org)



## Message of the Worshipful Master

Brethren,

As we transition into Spring, I hope the warmer weather brings you a renewed sense of life, energy, and happiness. Several members of GCL#1 joined me in attending the Grand Master's visit at Harmony Lodge #61 and while the weather truncated the visit, it was an exceptional dinner and meeting. Most importantly, I want to reiterate the Grand Master's message. Lodge membership and attendance is dwindling. Emphasis must be moved away from "business meetings" and more towards masonic education and public outreach. This echos the objective of my goal for our lodge this year. I have been working to incorporate more educational and public events. The March 21 st meeting addressed both with a visit from Amber Dihn from "Facing Homelessness Denver", followed by masonic education from Worshipful Brother Aaron Klostermeyer on "Improving Your Ritual Performance". I would highly encourage you to look into Amber's story and her efforts to tackle the growing homeless issue in Denver by visiting her website

[www.facinghomelessnessdenver.com](http://www.facinghomelessnessdenver.com)

We will continue to host more educational events in April. WB Rick Haskell will join us to discuss the significance of the skull and crossbones. (thank you to the education committee for arranging).

The Grand Master has also begun to host virtual Town Hall meetings. We will communicate the information about the date/time/link to the Zoom meeting via email, so please take the time to read the communications coming from the desk of the Secretary. He also sent out an address which details his plan and vision for the future of masons in Colorado. That email should have been sent to you in mid-March, so please reach out to me if you did not receive it and are interested in hearing his message.

"The genius of Freemasonry is not our Masonic buildings and temples or the trappings of our organizations. It is not our great charities or community activities. It is not our beautiful rituals or their teachings! It is the 'practice of Freemasonry' by the Freemasons. Yet we cannot practice that which we do not know or understand. Thus Masonic education is the foundation for our Fraternity. '...one thing and only one thing a Masonic Lodge can give its members which they can get nowhere else in the world. That one thing is Masonry.'" - Carl Claudy, PGM Grand Lodge, F.A.A.M. of the District of Columbia.

Fraternally,

Thomas McKean, WM

## Golden City Lodge #1 A.F & A.M. 2022 Officer Line

**Worshipful Master**.....Thomas McKean  
720-789-4483  
[tcmckean@gmail.com](mailto:tcmckean@gmail.com)

**Senior Warden**.....Tom Zumalt  
**Junior Warden**.....Andrew Smith  
**Treasurer**.....Richard Wenzell

**Secretary**.....Ryan Puckett  
720-218-0770  
[secretary@goldencitylodge1.org](mailto:secretary@goldencitylodge1.org)  
400 10<sup>th</sup> St, Golden, CO 80401

**Senior Deacon**.....Benjamin Miller  
**Junior Deacon**.....Nick Puma  
**Senior Steward**.....Arron Combe  
**Junior Steward**.....David Buckingham  
**Chaplain**.....Bill Ott  
**Marshal**.....Drew Albrecht  
**Tiler**.....Craig Petty  
**Director of the Work**.....Wyatt Page  
**District Lecturer**.....Michael Tims

## 2022 Committees

(first member listed is chairman)

**Welfare**.....Thomas McKean  
Tom Zumalt, Andrew Smith  
**Finance**.....Andrew Smith  
Rick Wenzell, Jon Sanders  
**Grievance**.....Tom Zumalt  
Thomas McKean, Lloyd McKean  
**Posting**.....Benjamin Miller  
Thomas McKean, Wyatt Page  
Byron Walker, Chris Westeroff  
**Memorials**.....Thomas McKean  
Tom Zumalt, Andrew Smith, Rick Wenzell  
**Investments**.....Merritt Smith  
Victor Walker, Jon Sanders, Drew Albrecht  
**Scholarship**.....Thomas McKean  
Ryan Puckett, Robert Ceriale  
**Technology**.....Wyatt Page  
Tom Zumalt, Ryan Puckett  
**Education**.....Wyatt Page  
Nick Puma, Byron Walker, Benjamin Miller  
**Music**.....Tom Zumalt  
Benjamin Miller, Thomas McKean

## Golden City Lodge #1 A.F & A.M

### Events Schedule

- **April 4<sup>th</sup> State Meeting**  
Dinner at 6pm and Presentation
- **April 18<sup>th</sup> Stated Meeting**
- **Pizza, Pool, and Darts**  
1<sup>st</sup> and 3<sup>rd</sup> Wednesdays at 6pm  
Come and enjoy some fellowship. Bring a friend.
- **Mt Zion OES Pancake Breakfast**  
4<sup>th</sup> Sunday at 8am to 11am. All you can eat pancakes, eggs, sausage, and hash browns

### Youth Group Information

**Bethel #43 Job's Daughters**  
2<sup>nd</sup> and 4<sup>th</sup> Mondays, 6:45pm  
(girls, 11-18 / jobes2be 8-10)

**Columbine Assembly #96 Rainbow for Girls**  
1<sup>st</sup> and 3<sup>rd</sup> Thursdays, 7pm  
(girls, 10-18 / pledges 8-9)

**Golden Chapter Order of DeMolay**  
1<sup>st</sup> and 3<sup>rd</sup> Tuesdays, 7pm  
(boys, 12-18, squires 9-11)

### April Birthdays

Worshipful Brother.....David Cooper  
Brother.....Patrick Johnson  
Brother.....Stanley Lupinski  
Brother.....Erik Carlson  
Brother.....Arthur Gibbard  
Brother.....Charles Barker  
Brother.....Jon Sanders  
Brother.....Dillon Knapp