

# GOLDEN CITY LODGE NO. 1 A.F. & A.M.

## 2020 STANDING COMMITTEES

### WELFARE

W Page, WM – Chair  
D Albrecht, SW  
M Elegino, JW  
D Hayman, Sec, PM

### MEMORIAL FUNDS

W Page, WM - Chair  
D Albrecht, SW  
M Elegino, JW

### GRIEVANCE

D Albrecht, SW - Chair  
W Page, WM  
M Elegino, JW

### FINANCE

M Elegino, JW - Chair  
R Wenzel, Tr, PM

### POSTING

T McKean, SD - Chair  
B Walker, PM  
W Page, WM  
C Westerhoff, PM

### INVESTMENTS

J. Bartos (Chair) (2021)  
V. Walker (2020)  
R Wenzel Tr. (non-voting)

## 2020 SPECIAL COMMITTEES

### SCHOLARSHIPS

W. Page (Chair)  
B. Walker  
R. Puckett

### TECHNOLOGY

W. Page (Chair)  
R. Pucket  
T. Zumalt,

### EDUCATION

W. Page (Chair)  
P. Good  
D. Albrecht

### MUSIC

D. Hayman (Chair)  
P. Good

## GOLDEN MASONIC TEMPLE ASSOCIATION BOARD OF DIRECTORS

R. Puckett, President (2018-2022)  
T. Zumalt Sec/Treasurer (2019-2023)  
V. Walker (2016-2019)  
P. Good (2020-2025)  
A. Smith (2017-2021)

## CURRENT PAST & AFFILIATED MASTERS

Merritt Smith: 1967	Steven Walker, 2014
Arthur Toney: 1974	Kevin Alcox, 2015
James Arbuckle: 1980	Robert Ceriale, 2016
Michael Mills: 1984	Ryan Puckett 2017
Timothy Johansson: 1985	Thomas Zumalt 2018
Charles Robinson: 1989	Patrick Good 2019
Craig Petty: 1997	John Bartos 2019
Cliff Addenbrooke: 2001	Larry Bangert
Byron Walker: 2002	Walter Cooley
Byron Walker: 2003	Frank Duff
Richard Wenzel: 2005	Michael Halpin
David Cooper: 2006	Howard Hohnstein
Thomas Dunn: 2007	John Hohnstein
Thomas Dunn: 2008	Lloyd McKean
Michael Tims: 2009	Charles Noah
Richard Wenzel: 2010	James Norris
Daniel Hayman: 2011	Larry Ott
Chris Westerhoff 2013	

- Fees for Degrees: \$150
- 2019 Annual Dues and Per Capita
  - Regular Members: \$100 + \$67 = \$167
  - 65+ years of age plus 25+ years as MM: \$75 + 67 = \$142

### Items for Sale

Golden Lodge Logo T-shirts .....	\$10.00
Golden Lodge Logo Polo-shirts .....	\$15.00
Further Light (booklet) .....	\$8.00
Clear Text Key (MM) .....	\$33.00
Colorado Craftsman .....	\$10.00

### The Golden City Temple Facility is Available!

For weddings; receptions; anniversary, graduation, and birthday parties; reunions; gatherings; recitals; plays; meetings and the like, our facility is beautiful, functional and affordable!

Please contact the Temple Board (303-279-9902) for rental fees and availability.

### TEMPLE CARETAKER AND SCHEDULER

Craig Petty  
Temple Telephone (303) 279-9902

NON-PROFIT ORG  
U.S. POSTAGE PAID  
GOLDEN, COLO.  
PERMIT No. 91

DATED MATERIAL

Golden City Lodge No. 1  
A.F. & A.M.  
400 Tenth Street  
Golden, Colorado 80401

Return Service Requested



**Golden City Lodge No. 1,  
A.F. & A.M.**

**Chartered October 17, 1860**

**February 2020**

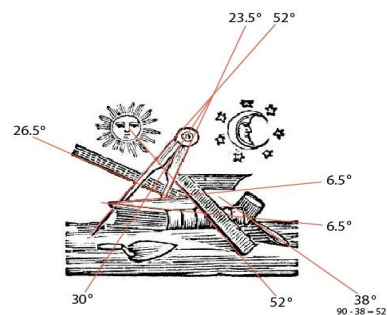
**Masonic Temple Street/Mailing  
Address:**

Golden City Lodge No. 1 A.F. & A.M.  
400 Tenth Street  
Golden, Colorado 80401

**Masonic Temple Telephone Number:**  
(303) 279-9902

**Web Site:**

[www.GoldenCityLodge1.org](http://www.GoldenCityLodge1.org)



## GOLDEN CITY LODGE NO. 1, A.F. & A.M. Events Schedule

**February 3<sup>rd</sup> @ 6PM**

Fellowship Dinner:

Glazed Ham, Roasted Potatoes,  
Garden Salad & Desert.

Speaker: Bro. Eric Weddington on “Models of  
Personal Transformation.”  
Standard Business.

**February 17<sup>th</sup> @ 7PM**

Entered Apprentice Degrees.



**MARCH 16 @ 6PM**

**St. Patrick's Day Festival**  
Irish Food, Dance, Pipes and FAMILY FUN  
**PLEASE RSVP ASAP!!**

### Youth Groups Events

**Bethel No. 43, Job's Daughters**

2<sup>nd</sup> & 4<sup>th</sup> Mondays, 6:45 PM\*\*

(girls, 11 – 18, jobs2be 8 – 10)

**Columbine Assembly No. 96, Rainbow for Girls**

1<sup>st</sup> and 3<sup>rd</sup> Thursdays, 7:00 PM\*\*

(girls, 10 – 18, pledges 8 – 9)

**Golden Chapter, Order of DeMolay**

1<sup>st</sup> and 3<sup>rd</sup> Wednesdays, 7:00 PM\*\*

(boys, 11 – 18, squires 9-10)

\*\* Master Masons Welcome

**Every 4<sup>th</sup> Sunday, 8 – 11 am. Pancake Breakfast  
at Fellowship Hall**

## Message of the Worshipful Master

Brethren,

I would like to congratulate and welcome our newly made Brothers into the Fraternity. We are delighted that you have joined us and look forward to seeing you in Lodge. Please feel free to call on any of us should you have questions regarding your Masonic path.

For our first meeting in February, we are having Bro. Eric Weddington, Grand Lodge Education Committee speaker, join us to present on “Models of Personal Transformation.” This presentation will center around how you might go about transforming your life. Bro. Weddington will discuss symbols and models of personal transformation, ranging from the Renaissance to the modern day, how old symbols are still relevant in today's world, and how to take theory and move it into practice. This should be an interesting talk and will aid us as Freemasons as we continue our individual paths of learning and higher thought.

For our second meeting in February, depending on forthcoming investigations and balloting, we may have more men joining our Fraternity. This is very exciting as we may potentially have four new Brothers in the first two months of this Masonic year! I would like to request that you join us for these Initiations and welcome these men with open arms. Personally, every time I witness an Initiation, I learn one more thing myself. I hope you will all take this opportunity to do the same.

Finally, February generally brings thoughts of Valentine's Day. If you have a special someone, take a moment to tell them how much they mean to you. Life is short and fleeting and we should take every opportunity to remind those we love how important they are to us.

Fraternally,  
Wyatt Page - WM

## CONTACTS

- Call **303-279-9902** to contact Golden City Lodge No. 1 AF&AM, Mt. Zion Chapter No. 133 OES, Golden Chapter No. 5 RAM, Jefferson Council No. 24 R&SM, Jefferson Highlands Commandery No.30, Friendship Court No. 7 Amaranth, Bethel No. 43 Job's Daughters, Columbine Assembly No. 96 Rainbow for Girls, Golden Chapter DeMolay.
- Call **303-861-4261** for Denver Consistory or **866-289-6797** for Scottish Rite Child Language Disorders Foundation
- Call **303-455-3470** for El Jebel Shrine or **1-800-237-5055** for Shriners Hospital or Burn Center for Children
- Call **303-756-9489** for the Robert Russell Eastern Star Masonic Center and Village

## VETERANS AND FIRST RESPONDERS

We are adding your service to our data base. Please advise the Secretary if you have served or are serving in the military services (your branch) or if you are a fireman, police officer, medical first responder, etc.

## Did You Know?

The “Boston Tea Party,” on Dec. 16 1773, was led by Brother. Paul Revere and was participated in by members of St. Andrews Lodge disguised as Mohawk Indians. After washing off their paint, they repaired to their Lodge room in the Green Dragon Tavern. The minutes of the meeting that night show a big capital “T.”

There is only one record of a Masonic meeting being held in a balloon. That actually happened on August 23<sup>rd</sup> 1879, when Lodge #239 of France held a meeting in a giant balloon hovering a half-mile above Paris. The E.A. Degree was conferred.

*A Medley of Masonic Miscellanea* by, E.E. Hedblom 1955

## GOLDEN CITY LODGE NO. 1, A.F. & A.M. 2020 OFFICERS

**WORSHIPFUL MASTER: Wyatt Page**

**SENIOR WARDEN: Drew Albrecht**

**JUNIOR WARDEN: Mike Elegino**

**TREASURER: Richard Wenzel**

**SECRETARY: Daniel Hayman**  
720-808-1326

400 Tenth Street, Golden, CO 80401  
[Secretary@GoldenCityLodge1.org](mailto:Secretary@GoldenCityLodge1.org)

**SENIOR DEACON: Thomas McKean**

**JUNIOR DEACON: Andrew Smith**

**SENIOR STEWARD: Jose Lopez**

**JUNIOR STEWARD: TBD**

**CHAPLAIN: Victor Walker**

**MARSHAL: TBD**

**TYLER: Christopher Westerhoff**

**DIRECTOR OF THE WORK:**  
**Christopher Westerhoff**

**DISTRICT LECTURER: Ryan Puckett**

**Degree coaching by  
appointment. Please call:**  
**601-870-8366**

