



Brother Robert Beer is a member and past Chaplain of Golden City Lodge #1 and currently lives in Arizona. His painting, *A Mason's Journey*, is scheduled to hang in the Lodge. All friends, family and Brethren are invited (once able) to come and see Bob's work!

A Mason's Journey
by,
Brother Robert Beer

CONTACTS

- Call **303-279-9902** to contact Golden City Lodge No. 1 AF&AM, Mt. Zion Chapter No. 133 OES, Golden Chapter No. 5 RAM, Jefferson Council No. 24 R&SM, Jefferson Highlands Commandery No.30, Friendship Court No. 7 Amaranth, Bethel No. 43 Job's Daughters, Columbine Assembly No. 96 Rainbow for Girls, Golden Chapter DeMolay.
- Call **303-861-4261** for Denver Consistory or **866-289-6797** for Scottish Rite Child Language Disorders Foundation
- Call **303-455-3470** for El Jebel Shrine or **1-800-237-5055** for Shriners Hospital or Burn Center for Children
- Call **303-756-9489** for the Robert Russell Eastern Star Masonic Center and Village

- Fees for Degrees: \$150
- 2021 Annual Dues and Per Capita
 - Regular Members: \$125 + \$82 = \$207
 - 65+ years of age plus 25+ years as MM: \$100 + \$82 = \$182

Items for Sale

Golden Lodge Logo T-shirts.....\$10.00
 Golden Lodge Logo Polo-shirt0...\$15.00
 Further Light (booklet)\$8.00
 Clear Text Key (MM).....\$35.00

The Golden City Temple Facility is Available!

For weddings; receptions; anniversary, graduation, and birthday parties; reunions; gatherings; recitals; plays; meetings and the like, our facility is beautiful, functional and affordable!

Please contact the Temple Board (303-279-9902) for rental fees and availability.

VETERANS AND FIRST RESPONDERS

We are adding your service to our data base! Please advise the Secretary if you have served or are serving in the military (your branch) or if you are/were a first responder.

Golden City Lodge No. 1
 A.F. & A.M.
 400 Tenth Street
 Golden, Colorado 80401

Return Service Requested

NON-PROFIT ORG.
 U.S. POSTAGE PAID
 GOLDEN, COLO.
 PERMIT No. 91

DATED MATERIAL



**Golden City Lodge No. 1,
 A.F. & A.M.**

Chartered October 17, 1860

February 2021

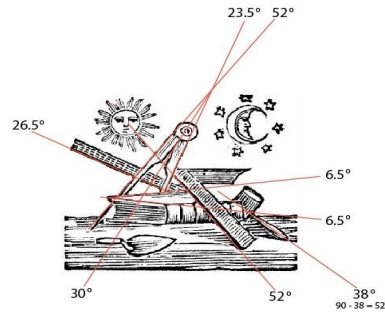
**Masonic Temple Street/Mailing
 Address:**

Golden City Lodge No. 1 A.F. & A.M.
 400 Tenth Street
 Golden, Colorado 80401

**Masonic Temple Telephone
 Number:**
 (303) 279-9902

Web Site:

www.GoldenCityLodge1.org



Golden City Lodge No. 1, A.F. & A.M.

EVENTS SCHEDULE

February 1: TBD -- COVID-19
 Agenda: Business/Fellowship/Education
Zoom Link to be sent via e-mail.

February 15: TBD -- COVID-19
 Agenda: Business/Fellowship/Education
Zoom Link to be sent via e-mail.

Please join us for our ongoing monthly "virtual meetings." Zoom meetings are held on the Fourth Monday of every Month at 7:00PM MST. Links are sent via e-mail to all Brothers.

Youth Groups Events – TBD – COVID-19

Bethel No. 43, Job's Daughters
 2nd & 4th Mondays, 6:45 PM**
 (girls, 11 – 18, jobes2be 8 – 10)

Columbine Assembly No. 96, Rainbow for Girls
 1st and 3rd Thursdays, 7:00 PM**
 (girls, 10 – 18, pledges 8 – 9)

Golden Chapter, Order of DeMolay
 1st and 3rd Tuesdays, 7:00 PM**
 (boys, 11 – 18, squires 9-10)
 ** Master Masons Welcome

Every 4th Sunday, 8 – 11 AM. Pancake Breakfast at Fellowship Hall (**SUSPENDED – COVID-19**)

Message of the Worshipful Master

Brethren,

This month we have a very special Trestle Board! Brother Bob has graced us with one of his paintings and it should be seen in color. Try and find as many masonic allusions as possible. Thank you, Brother Bob for sharing your amazing talent with us.

Also, when it is safe to meet in person again, we have a lot of degree work to get caught up on. On that note, please think about which parts you know and would be willing to do and email the Secretary with that information. Having that information in our data base will help future officers in setting up degrees.

Stay safe and healthy.

Fraternally,
 Drew Albrecht, WM

February Birthdays

Worshipful Brother	Charles Noah
Brother	Levi – Aton Wait
Worshipful Brother	Byron Walker
Brother	Robert Williams
Brother	Victor Walker
Brother	Tyler Penton
Brother	Mark Powell
Brother	Levi – Aton Wait
Brother	Ted Beer
Worshipful Brother	Jeffery Lockwood

Happy Birthday Brothers!!

Candlelight

SUPPORT OUR MASONIC YOUTH GROUPS

There are three Masonic youth groups that meet at the Golden Masonic Temple:

- Golden Chapter Order of the DeMolay
- Bethel Number 43 Job's Daughters
- Columbine Assembly 96 Order of the Rainbow for Girls.

Golden City Lodge #1 is the sponsoring body for the DeMolay Chapter and the Job's Daughters Bethel. The sponsoring body of Assembly 96 is the Star and Compass Club. Our Lodge, as does Mt Zion Chapter Number 133, Order of the Eastern Star, supports all three youth organizations by paying 1/3 each their annual rental fees to the Golden Masonic Temple Association. In addition, our members support the youth group's fund-raising activities, including the Job's Daughters fall fruit sales and the Rainbow Girls Christmas candle and butter braid sales, and when they cater or help with dinners and breakfasts. An effort is made to announce their fund-raising efforts in the Lodge Trestle Board and the Star monthly newsletter at appropriate times. In addition, Star and Compass club members are advised of such. You can join this club (no dues) by contacting their Mother advisor or Secretary. The youth groups all are in constant need for advisers, chaperones, etc. Please let them know if you are so interested.

*By,
 Worshipful Brother Byron Walker,
 Lodge Historian*

**GOLDEN CITY LODGE No. 1,
 A.F. & A.M.
 2021 OFFICERS**

WORSHIPFUL MASTER:
 Drew Albrecht

SENIOR WARDEN: Mike Elegino

JUNIOR WARDEN: Thomas McKean

TREASURER: Richard Wenzel

SECRETARY: Daniel Hayman
 720-808-1326

400 Tenth Street, Golden, CO 80401
Secretary@GoldenCityLodge1.org

SENIOR DEACON: Andrew Smith

JUNIOR DEACON: Tom Zumalt

SENIOR STEWARD: David Buckingham

JUNIOR STEWARD: TBD

CHAPLAIN: Victor Walker

MARSHAL: Ryan Pucket

TYLER: Craig Petty

DIRECTOR OF THE WORK:
 TBD

DISTRICT LECTURER: Michael Tims

