

GOLDEN CITY LODGE NO. 1 A.F. & A.M.

2019 STANDING COMMITTEES

WELFARE

P. Good, (Chair)
W. Page
D. Albrecht

FINANCE

D. Albrecht (Chair)
D. Buckingham
B. Ceriale
C. Noah

MEMORIAL FUNDS

P. Good,
W. Page
Drew Albrecht

POSTING

J. Thornton (Chair)
B. Walker
P. Good
C. Wehsterhoff

GRIEVANCE

W. Page (Chair)
J. Sellars
D. Hayman

INVESTMENTS

J. Bartos (Chair) (2021)
M. Smith (2019)
V. Walker (2020)
R. Wenzel (non-voting)

2019 SPECIAL COMMITTEES

SCHOLARSHIPS

P. Good (Chair)
B. Walker
R. Puckett

TECHNOLOGY

W. Page (Chair)
K. Alcox
T. Zumalt,
P. Bood

EDUCATION

W. Page (Chair)
P. Good
D. Albrecht

MUSIC

P. Good (Chair)
R. Ceriale
W. Page
D. Hayman

GOLDEN MASONIC TEMPLE ASSOCIATION BOARD OF DIRECTORS

R. Puckett, President (2018-2022)
T. Zumalt Sec/Treasurer (2019-2023)
V. Walker (2016-2019)
J. Bartos (2-19-2010)
J. Sellars (2017-2021)

CURRENT PAST & AFFILIATED MASTERS

Merritt Smith:1967	Chris Westerhoff 2013
Arthur Toney: 1974	Steven Walker, 2014
James Arbuckle: 1980	Kevin Alcox, 2015
Michael Mills:1984	Robert Ceriale, 2016
Timothy Johansson: 1985	Ryan Puckett 2017
Charles Robinson: 1989	Thomas Zumalt 2018
Craig Petty: 1997	Larry Bangert
Cliff Addenbrooke: 2001	Walter Cooley
Byron Walker: 2002	Frank Duff
Byron Walker: 2003	Howard Hohnstien
Richard Wenzel: 2005	John Hohnstein
David Cooper: 2006	Lloyd McKean
Thomas Dunn: 2007	Charles Noah
Thomas Dunn: 2008	James Norris
Michael Tims: 2009	Ronald Richards
Richard Wenzel: 2010	
Daniel Hayman: 2011	

- Fees for Degrees: \$150
- 2019 Annual Dues and Per Capita
 - Regular Members: \$100 + \$67 = \$167
 - 65+ years of age plus 25+ years as MM: \$75 + 67 = \$142

Items for Sale

Golden Lodge Logo T-shirts	\$10.00
Golden Lodge Logo Polo-shirts	\$15.00
Further Light (booklet)	\$8.00
Clear Text Key (MM)	\$33.00
Colorado Craftsman	\$10.00

TEMPLE CARETAKER AND SCHEDULER

Craig Petty
Temple Telephone (303) 279-9902

NON-PROFIT ORG
U.S. POSTAGE PAID
GOLDEN, COLO.
PERMIT No. 91

DATED MATERIAL

Golden City Lodge No. 1
A.F. & A.M.
400 Tenth Street
Golden, Colorado 80401

Return Service Requested



**Golden City Lodge No. 1,
A.F. & A.M.**

Chartered October 17, 1860

June 2019

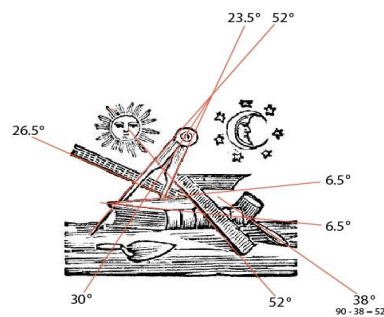
**Masonic Temple Street/Mailing
Address:**

Golden City Lodge No. 1 A.F. & A.M.
400 Tenth Street
Golden, Colorado 80401

Masonic Temple Telephone Number:
(303) 279-9902

Web Site

www.goldencitylodge1.org



**GOLDEN CITY LODGE NO. 1,
A.F. & A.M.**

Golden Masonic Temple, 400 Tenth Street,
Golden, Colorado 80401

Monday, June 3rd

6:00 PM Steak Dinner

7:00 PM 3336th Stated Communication

Hawaiian T-Shirt Night

Please RSVP Brother Drew Albrecht:
drwalbrecht@yahoo.com

Youth Groups

Bethel No. 43, Job's Daughters

2nd & 4th Mondays, 6:45 PM**
(girls, 11 – 18, jobs2be 8 – 10)

Columbine Assembly No. 96, Rainbow for Girls

1st and 3rd Thursdays, 7:00 PM**
(girls, 10 – 18, pledges 8 – 9)

Golden Chapter, Order of DeMolay

1st and 3rd Wednesdays, 7:00 PM**
(boys, 11 – 18, squires 9-10)

** Master Masons Welcome

Other Events

Candidate coaching by appointment. Please call:
601-870-8366

Every 4th Sunday, 8 – 11 am. Pancake Breakfast at
Fellowship Hall

Message of the Worshipful Master

Brethren All,

In the midst of Spring, and as we go dark for the Summer we are reminded of our own mortality. We lost two of our brothers in April and May. Brother Richard Ritchey, and Brother Francis Habersberger have been called upon by the Grand Warden of Heaven. Let us keep these Brothers and their families in our thoughts and prayers. Also, let us not forget how valuable time is in this life. The more time you put into something, the more valuable it becomes. Patience is the master of time.

On the upside, we continue to have a lot of inquiries about joining our lodge. We also have two more Master Masons. Congratulations to Brothers Andrew Smith and Mason Sellars! All of the Brothers are very proud of you. Remember to always look forward for greater light.

Our meeting in June will be low key. We will have our annual Hawaiian t-shirt night and a steak dinner. If you wear a coconut bikini and a hula skirt I will pay for your steak. If you get up and do a hula dance in a coconut bikini and hula skirt in front of all of us I will pay for your dues next year.

Last but not least, we are going to need extra help for Buffalo Bill Days this year. We will have two booths. The child ID booth and the dunk tank for charity need additional man power. Please let Worshipful Brother Byron, or myself know if you can help volunteer the last weekend of July for Buffalo Bill Days. We also need people for the parade. Please email us at: patrickgood@comcast.net, and byrongalicem@gmail.com.

Have a great summer!
Fraternally,

WM Patrick Good

CONTACTS

- Call **303-279-9902** to contact Golden City Lodge No. 1 AF&AM, Mt. Zion Chapter No. 133 OES, Golden Chapter No. 5 RAM, Jefferson Council No. 24 R&SM, Jefferson Highlands Commandery No.30, Friendship Court No. 7 Amaranth, Bethel No. 43 Job's Daughters, Columbine Assembly No. 96 Rainbow for Girls, Golden Chapter DeMolay.
- Call **303-861-4261** for Denver Consistory or **866-289-6797** for Scottish Rite Child Language Disorders Foundation
- Call **303-455-3470** for El Jebel Shrine or **1-800-237-5055** for Shriners Hospital or Burn Center for Children
- Call **303-756-9489** for the Robert Russell Eastern Star Masonic Center and Village

The Golden City Temple facility is available for weddings; receptions; anniversary, graduation, and birthday parties; reunions; gatherings; recitals; plays; meetings and the like. Contact the Temple Board (303-279-9902) for rental fees and availability.

VETERANS AND FIRST RESPONDERS

We are adding your service to our data base. Please advise the Secretary if you have served or are serving in the military services (your branch) or if you are a fireman, police officer, medical first responder, etc.

Did you Know?

The letters of the English word GOD are the first three letters of Hebrew words for beauty, strength, and wisdom. G in Gomez, O in Oz, D in Dabar.

Taken from "The Truth is Stranger than Fiction"
By Bro. Alphonse Cerza,

**GOLDEN CITY LODGE NO. 1,
A.F. & A.M.
2019 OFFICERS**

WORSHIPFUL MASTER: Patrick Good

SENIOR WARDEN: Wyatt Page

JUNIOR WARDEN: Drew Albrecht

TREASURER: Richard Wenzel

SECRETARY: Daniel Hayman
720-808-1326

400 Tenth Street, Golden, CO 80401
Secretary@GoldenCityLodge1.org

SENIOR DEACON: Joseph Thornton

JUNIOR DEACON: Dave Buckingham

SENIOR STEWARD: Steven Walker

JUNIOR STEWARD:

CHAPLAIN: Victor Walker

MARSHAL: Michael Tims

TILER: Craig Petty

DIRECTOR OF THE WORK:
Christopher Westerhoff

DISTRICT LECTURER: Ryan Puckett

