

GOLDEN CITY LODGE NO. 1 A.F. & A.M.

2020 STANDING COMMITTEES

WELFARE

W Page, WM – Chair
 D Albrecht, SW
 M Elegino, JW
 D Hayman, Sec, PM

MEMORIAL FUNDS

W Page, WM - Chair
 D Albrecht, SW
 M Elegino, JW

GRIEVANCE

D Albrecht, SW - Chair
 W Page, WM
 M Elegino, JW

FINANCE

M Elegino, JW - Chair
 R Wenzel, Tr, PM

POSTING

T McKean, SD - Chair
 B Walker, PM
 W Page, WM
 C Westerhoff, PM

INVESTMENTS

J. Bartos (Chair) (2021)
 V. Walker (2020)
 R Wenzel Tr. (non-voting)

2020 SPECIAL COMMITTEES

SCHOLARSHIPS

W. Page (Chair)
 B. Walker
 R. Puckett

TECHNOLOGY

W. Page (Chair)
 R. Pucket
 T. Zumalt

EDUCATION

W. Page (Chair)
 P. Good
 D. Albrecht

MUSIC

D. Hayman (Chair)
 P. Good

**GOLDEN MASONIC TEMPLE ASSOCIATION
 BOARD OF DIRECTORS**

R. Puckett, President (2018-2022)
 T. Zumalt, Sec/Treasurer (2019-2023)
 J. Bartos, (2018-2021)
 P. Good, (2020-2025)
 A. Smith, (2020-2025)

**CURRENT PAST & AFFILIATED
 MASTERS**

Merritt Smith: 1967	Steven Walker, 2014
Arthur Toney: 1974	Kevin Alcox, 2015
James Arbuckle: 1980	Robert Ceriale, 2016
Michael Mills: 1984	Ryan Puckett 2017
Timothy Johansson: 1985	Thomas Zumalt 2018
Charles Robinson: 1989	Patrick Good 2019
Craig Petty: 1997	John Bartos 2019
Cliff Addenbrooke: 2001	Larry Bangert
Byron Walker: 2002	Walter Cooley
Byron Walker: 2003	Frank Duff
Richard Wenzel: 2005	Michael Halpin
David Cooper: 2006	Howard Hohnstein
Thomas Dunn: 2007	John Hohnstein
Thomas Dunn: 2008	Lloyd McKean
Michael Tims: 2009	Charles Noah
Richard Wenzel: 2010	James Norris
Daniel Hayman: 2011	Larry Ott
Chris Westerhoff 2013	

- Fees for Degrees: \$150
- 2019 Annual Dues and Per Capita
 - Regular Members: \$100 + \$67 = \$167
 - 65+ years of age plus 25+ years as MM: \$75 + 67 = \$142

Items for Sale

Golden Lodge Logo T-shirts\$10.00
 Golden Lodge Logo Polo-shirts \$15.00
 Further Light (booklet)\$8.00
 Clear Text Key (MM)\$33.00
 Colorado Craftsman\$10.00

The Golden City Temple Facility is Available!

For weddings; receptions; anniversary, graduation, and birthday parties; reunions; gatherings; recitals; plays; meetings and the like, our facility is beautiful, functional and affordable!

Please contact the Temple Board (303-279-9902) for rental fees and availability.

TEMPLE CARETAKER AND SCHEDULER

Craig Petty
 Temple Telephone (303) 279-9902

NON-PROFIT ORG
 U.S. POSTAGE PAID
 GOLDEN, COLO.
 PERMIT No. 91

DATED MATERIAL

Golden City Lodge No. 1
 A.F. & A.M.
 400 Tenth Street
 Golden, Colorado 80401

Return Service Requested



**Golden City Lodge No. 1,
 A.F. & A.M.**

Chartered October 17, 1860

March 2020

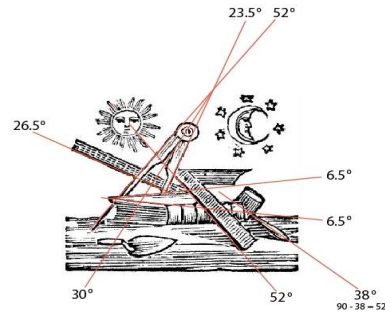
**Masonic Temple Street/Mailing
 Address:**

Golden City Lodge No. 1 A.F. & A.M.
 400 Tenth Street
 Golden, Colorado 80401

Masonic Temple Telephone Number:
 (303) 279-9902

Web Site:

www.GoldenCityLodge1.org



**GOLDEN CITY LODGE NO. 1, A.F. & A.M.
Events Schedule**

March 2nd @ 6PM

Fellowship Dinner,
Grand Master OV in a tilled meeting,
Joint Communication with Harmony, Miracle
and Mosaic Lodges



MARCH 16 @ 6PM

St. Patrick's Day Festival
Irish Food, Dance, Pipes and FAMILY FUN
PLEASE RSVP ASAP to
Bro. Victor Walker: (303) 818-9093

Youth Groups Events

Bethel No. 43, Job's Daughters
2nd & 4th Mondays, 6:45 PM**
(girls, 11 – 18, jobs2be 8 – 10)

Columbine Assembly No. 96, Rainbow for Girls
1st and 3rd Thursdays, 7:00 PM**
(girls, 10 – 18, pledges 8 – 9)

Golden Chapter, Order of DeMolay
1st and 3rd Wednesdays, 7:00 PM**
(boys, 11 – 18, squires 9-10)
** Master Masons Welcome

**Every 4th Sunday, 8 – 11 am. Pancake Breakfast
at Fellowship Hall**

Message of the Worshipful Master

Brethren,

February brought two more men into our fraternity. Welcome Brothers, we are glad that you have joined us, and we are looking forward to helping you on your Masonic journey. Please let us know what we can do for you and try to join us on Thursday evenings at the Lodge for posting practice and further discussion around your initiation and the fraternity.

March looks to be another exciting month for us at Golden City Lodge #1. Our first meeting will be our annual Joint Communication with Harmony Lodge #61, Miracle Lodge #182 and Mosaic Lodge #184. Golden City Lodge #1 will be hosting the event. That evening we also have the honor of welcoming and receiving the Grand Master of Masons in Colorado and members of his officer line. This will be a closed, tiled meeting. Please be sure and attend and show your support of our Grand Master and Freemasonry in Colorado.

The second meeting in March, will be an Irish themed evening starting with a meal of corned beef and cabbage and followed by performances from the Shrine Pipe Band and the *Celtic Steps Irish Dancers*. The public is welcome and encouraged to attend both the dinner and the evening's entertainment in an Open Lodge. Be sure to make your dinner reservation to Brother Victor Walker (303-818-9093) well in advance to ensure a plate will be ready and waiting for you. We will have a short tiled Stated Communication following the evening's festivities.

As I've mentioned a couple of times in Lodge, and if you've been keeping score lately from our Trestleboards, we have 4 new Freemasons this year alone, one from late last year, and another petition to read this month. That's 6 men that have been called to the Craft and are choosing to spend their precious free time with us. Let's make them feel welcome and help them to understand what Freemasonry teaches. Finally, and most importantly, be sure to join us for Lodge meetings for the opportunity to have Masonic communication with our Brethren.

See you in lodge!
Fraternally,
Wyatt Page - WM

CONTACTS

- Call **303-279-9902** to contact Golden City Lodge No. 1 AF&AM, Mt. Zion Chapter No. 133 OES, Golden Chapter No. 5 RAM, Jefferson Council No. 24 R&SM, Jefferson Highlands Commandery No.30, Friendship Court No. 7 Amaranth, Bethel No. 43 Job's Daughters, Columbine Assembly No. 96 Rainbow for Girls, Golden Chapter DeMolay.
- Call **303-861-4261** for Denver Consistory or **866-289-6797** for Scottish Rite Child Language Disorders Foundation
- Call **303-455-3470** for El Jebel Shrine or **1-800-237-5055** for Shriners Hospital or Burn Center for Children
- Call **303-756-9489** for the Robert Russell Eastern Star Masonic Center and Village

VETERANS AND FIRST RESPONDERS

We are adding your service to our data base. Please advise the Secretary if you have served or are serving in the military services (your branch) or if you are a fireman, police officer, medical first responder, etc.

Did You Know?

The letters of the English word GOD are the first three letters of Hebrew words for beauty, strength, and wisdom. G in Gomez, O in Oz, D in Dabar.

Bernard Pierre Mangam, Marshall of France and Senator was appointed Grand Master of the Grand Orient of France and served from 1862 to 1865. This is unusual because he was not a Mason. He was appointed by Emperor Napoleon III.

Dr. Joseph Ignace Guillotine was a member of Concorde Fraternelle Lodge of Paris and a member of the French Assembly. He obviously invented the device that bears his name and was later executed with one.

Taken mostly from: *The Truth is Stranger than Fiction*
By Bro. Alphonse Cerza
<http://freemasoninformation.com/2012/02/some-interesting-masonic-trivia/>

**GOLDEN CITY LODGE NO. 1,
A.F. & A.M.
2020 OFFICERS**

WORSHIPFUL MASTER: Wyatt Page

SENIOR WARDEN: Drew Albrecht

JUNIOR WARDEN: Mike Elegino

TREASURER: Richard Wenzel

SECRETARY: Daniel Hayman
720-808-1326

400 Tenth Street, Golden, CO 80401
Secretary@GoldenCityLodge1.org

SENIOR DEACON: Thomas McKean

JUNIOR DEACON: Andrew Smith

SENIOR STEWARD: Jose Lopez

JUNIOR STEWARD: TBD

CHAPLAIN: Victor Walker

MARSHAL: TBD

TYLER: Christopher Westerhoff

**DIRECTOR OF THE WORK:
Christopher Westerhoff**

DISTRICT LECTURER: Ryan Puckett

**Degree coaching by
appointment. Please call:
601-870-8366**

