

## Message of the Senior Warden

Brothers,

Brother Winston Churchill once said, "A pessimist sees the difficulty in every opportunity; an optimist sees the opportunity in every difficulty." While COVID has kept us from the Lodge, it has given us a greater opportunity to reconnect virtually with many Brothers of the Lodge via Zoom. I know I've appreciated the meetings being mobilized with the Army and keeping connected with members from #1. However, I'm looking forward to getting back to work and for the in-person Fellowship!

Be brushing off your Ritual as we have many EAs, FCs, and MMs waiting in the wings for their Degree work! I hope every Brother and his families are remaining safe and healthy. I look forward to seeing you all back in Lodge!

Fraternally,  
Mike Elegino, SW

### March Birthdays

Brother Kenneth Curby  
Brother Clyde Humphrey  
Brother George (Curt) Holsinger  
Brother Donald Kirby  
Worshipful Brother James Norris  
Worshipful Brother Timothy (Mike) Tims  
Brother Randall Weber  
Brother Kenneth Lawler  
Brother Charles Surratt  
Brother John Forgy  
Brother Jack Butler  
Brother Thomas Keller  
Brother Matthew Olson

## CONTACTS

- Call **303-279-9902** to contact Golden City Lodge No. 1 AF&AM, Mt. Zion Chapter No. 133 OES, Golden Chapter No. 5 RAM, Jefferson Council No. 24 R&SM, Jefferson Highlands Commandery No.30, Friendship Court No. 7 Amaranth, Bethel No. 43 Job's Daughters, Columbine Assembly No. 96 Rainbow for Girls, Golden Chapter DeMolay.
- Call **303-861-4261** for Denver Consistory or **866-289-6797** for Scottish Rite Child Language Disorders Foundation.
- Call **303-455-3470** for El Jebel Shrine or **1-800-237-5055** for Shriners Hospital or Burn Center for Children.
- Call **303-756-9489** for the Robert Russell Eastern Star Masonic Center and Village.

- Fees for Degrees: \$150
- 2021 Annual Dues and Per Capita
  - Regular Members: \$125 + \$82 = \$207
  - 65+ years of age plus 25+ years as MM: \$100 + \$82 = \$182

### Items for Sale

- Golden Lodge Logo T-shirts.....\$10.00
- Golden Lodge Logo Polo-shirt0...\$15.00
- Further Light (booklet) .....\$8.00
- Clear Text Key (MM).....\$35.00

### The Golden City Temple Facility is Available!

For weddings; receptions; anniversary, graduation, and birthday parties; reunions; gatherings; recitals; plays; meetings and the like, our facility is beautiful, functional and affordable!

Please contact the Temple Board (303-279-9902) for rental fees and availability.

### VETERANS AND FIRST RESPONDERS

We are adding your service to our data base! Please advise the Secretary if you have served or are serving in the military (your branch) or if you are/were a first responder.

NON-PROFIT ORG.  
U.S. POSTAGE PAID  
GOLDEN, COLO.  
PERMIT No. 91

DATED MATERIAL

Golden City Lodge No. 1  
A.F. & A.M.  
400 Tenth Street  
Golden, Colorado 80401

Return Service Requested



**Golden City Lodge No. 1,  
A.F. & A.M.**

**Chartered October 17, 1860**

**March 2021**

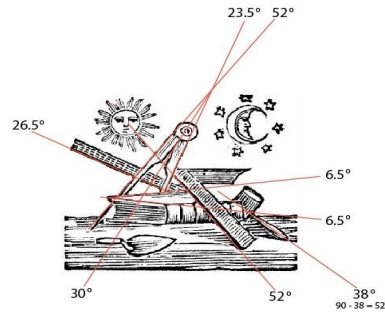
**Masonic Temple Street/Mailing  
Address:**

Golden City Lodge No. 1 A.F. & A.M.  
400 Tenth Street  
Golden, Colorado 80401

**Masonic Temple Telephone  
Number:**  
(303) 279-9902

**Web Site:**

[www.GoldenCityLodge1.org](http://www.GoldenCityLodge1.org)



## Golden City Lodge NO. 1, A.F. & A.M.

### EVENTS SCHEDULE

*Brothers who wish to "Brown Bag" dinner before these meetings and enjoy some Fellowship are encouraged to do so!*

March 1, 7PM: Rusty Nail  
(Let's get back up to speed!)  
*No Zoom for this meeting.*

January 15, 7PM: EA Degrees  
*No Zoom for this meeting*

***Please join us for our ongoing monthly PUBLIC "virtual meetings." Zoom meetings are held on the Fourth Monday of every month at 7:00PM MST. Zoom Links are sent via e-mail to all Brothers, Prospects/Candidates.***

#### Youth Groups Events – TBD – COVID-19

**Bethel No. 43, Job's Daughters**  
2<sup>nd</sup> & 4<sup>th</sup> Mondays, 6:45 PM\*\*  
(girls, 11 – 18, jobs2be 8 – 10)

**Columbine Assembly No. 96, Rainbow for Girls**  
1<sup>st</sup> and 3<sup>rd</sup> Thursdays, 7:00 PM\*\*  
(girls, 10 – 18, pledges 8 – 9)

**Golden Chapter, Order of DeMolay**  
1<sup>st</sup> and 3<sup>rd</sup> Tuesdays, 7:00 PM\*\*  
(boys, 11 – 18, squires 9-10)  
\*\* Master Masons Welcome

## Message of the Worshipful Master

Brothers,

I hope this message finds you and yours healthy and well. If you have not yet heard, we will start holding "in person meetings" for March. During the first meeting we plan to kick the rust off and get back in the swing of holding face to face meetings. The second meeting we are planning on holding a few EA degrees. We have quite a backlog of degree work to do. During our down time we have had FC's waiting patiently for the next step, an EA ready to give his Proficiency and move to FC, and we have Candidates who have knocked on the door and are ready to start the Degrees.

We still have a pandemic raging around us. Just because we are done with it, it is not done with us. With that in our minds we need to meet carefully. Masks must be worn at all times. We are blessed with a beautiful, historic building with a room that will let us social distance and we should use the full area to spread out. Caution and prudence should be our guide in this endeavor. If you are not feeling well, feel any worry about gathering in person, or have any other concerns please wait and join us when you feel safer. Masonry will still be here for all when this pandemic has passed.

On a last note, we will continue to have our 4th Monday Zoom calls. These calls are a way for all to have Fellowship with their Brethren. It has been a great tool for us to stay on contact, keep each other safe, and keep our fraternity strong and we shall continue to use it.

Stay safe and healthy,

Fraternally,  
Drew Albrecht, WM

## Candlelight

RUDYARD KIPLING AND THE CRAFT

Rudyard Kipling, the famous English author, was born in India of English parents. He was educated in England but returned to India in 1880. He was initiated in Hope and Perseverance Lodge No. 782, Lahore, Punjab, India in 1886. A special dispensation was necessary as he was only twenty years and six months at the time. When he took the degrees, there were four Holy Books upon the altar representing the dominant religions in the area. Upon his rising he was immediately elected secretary; and he prepared the minutes of that meeting himself.

Many years later he wrote: "I was secretary for some years of Hope and Perseverance Lodge No. 782, E. C., Lahore, which included Brethren of at least four creeds. I was entered by a member of Brahma Somaj, a Hindu; passed by a Mohammedan; and raised by an Englishman. Our Tyler was an Indian Jew. We met, of course on the level, and the only difference anyone would notice was that at the banquets, some of the Brethren, who were debarred by caste from eating food not ceremonially prepared, sat over empty plates."

Source:  
<http://www.mastermason.com/bridgeportlodge181/STRANG02.H>  
TM

## GOLDEN CITY LODGE NO. 1, A.F. & A.M. 2021 OFFICERS

**WORSHIPFUL MASTER:**  
Drew Albrecht

**SENIOR WARDEN:** Mike Elegino

**JUNIOR WARDEN:** Thomas McKean

**TREASURER:** Richard Wenzel

**SECRETARY:** Daniel Hayman  
720-808-1326

400 Tenth Street, Golden, CO 80401  
[Secretary@GoldenCityLodge1.org](mailto:Secretary@GoldenCityLodge1.org)

**SENIOR DEACON:** Andrew Smith

**JUNIOR DEACON:** Tom Zumalt

**SENIOR STEWARD:** David Buckingham

**JUNIOR STEWARD:** TBD

**CHAPLAIN:** Victor Walker

**MARSHAL:** Ryan Pucket

**TYLER:** Craig Petty

**DIRECTOR OF THE WORK:**  
TBD

**DISTRICT LECTURER:** Michael Tims

