

**GOLDEN CITY LODGE NO. 1 A.F. & A.M.**

**2019 STANDING COMMITTEES**

**WELFARE**

P. Good, (Chair)  
W. Page  
D. Albrecht

**FINANCE**

D. Albrecht (Chair)  
D. Buckingham  
B. Ceriale  
C. Noah

**MEMORIAL FUNDS**

P. Good,  
W. Page  
Drew Albrecht

**POSTING**

J. Thornton (Chair)  
B. Walker  
P. Good  
C. Wehsterhoff

**GRIEVANCE**

W. Page (Chair)  
J. Sellars  
D. Hayman

**INVESTMENTS**

J. Bartos (Chair) (2021)  
M. Smith (2019)  
V. Walker (2020)  
R. Wenzel (non-voting)

**2019 SPECIAL COMMITTEES**

**SCHOLARSHIPS**

P. Good (Chair)  
B. Walker  
R. Puckett

**TECHNOLOGY**

W. Page (Chair)  
K. Alcox  
T. Zumalt,  
P. Bood

**EDUCATION**

W. Page (Chair)  
P. Good  
D. Albrecht

**MUSIC**

P. Good (Chair)  
R. Ceriale  
W. Page  
D. Hayman

**GOLDEN MASONIC TEMPLE ASSOCIATION  
BOARD OF DIRECTORS**

R. Puckett, President (2018-2022)  
T. Zumalt Sec/Treasurer (2019-2023)  
V. Walker (2016-2019)  
J. Bartos (2-19-2010)  
J. Sellars (2017-2021)

**CURRENT PAST & AFFILIATED MASTERS**

Merritt Smith:1967	Chris Westerhoff 2013
Arthur Toney: 1974	Steven Walker, 2014
James Arbuckle: 1980	Kevin Alcox, 2015
Michael Mills:1984	Robert Ceriale, 2016
Timothy Johansson: 1985	Ryan Puckett 2017
Charles Robinson: 1989	Thomas Zumalt 2018
Craig Petty: 1997	Larry Bangert
Cliff Addenbrooke: 2001	Walter Cooley
Byron Walker: 2002	Frank Duff
Byron Walker: 2003	Howard Hohnstien
Richard Wenzel: 2005	John Hohnstein
David Cooper: 2006	Lloyd McKean
Thomas Dunn: 2007	Charles Noah
Thomas Dunn: 2008	James Norris
Michael Tims: 2009	Ronald Richards
Richard Wenzel: 2010	
Daniel Hayman: 2011	

- Fees for Degrees: \$150
- 2019 Annual Dues and Per Capita
  - Regular Members: \$100 + \$67 = \$167
  - 65+ years of age plus 25+ years as MM: \$75 + 67 = \$142

- Items for Sale**
- Golden Lodge Logo T-shirts .....\$10.00
  - Golden Lodge Logo Polo-shirts ..... \$15.00
  - Further Light (booklet) .....\$8.00
  - Clear Text Key (MM) .....\$33.00
  - Colorado Craftsman .....\$10.00

**TEMPLE CARETAKER AND SCHEDULER**  
Craig Petty  
Temple Telephone (303) 279-9902

NON-PROFIT ORG  
U.S. POSTAGE PAID  
GOLDEN, COLO.  
PERMIT No. 91

DATED MATERIAL

Golden City Lodge No. 1

A.F. & A.M.

400 Tenth Street

Golden, Colorado 80401

Return Service Requested



**Golden City Lodge No. 1,  
A.F. & A.M.**

**Chartered October 17, 1860**

**May 2019**

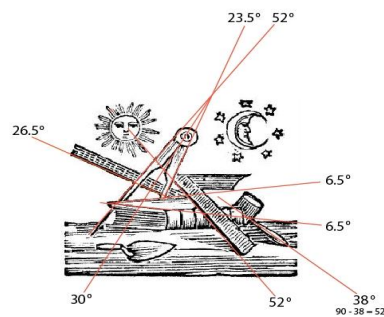
**Masonic Temple Street/Mailing  
Address:**

Golden City Lodge No. 1 A.F. & A.M.  
400 Tenth Street  
Golden, Colorado 80401

**Masonic Temple Telephone Number:**  
(303) 279-9902

**Web Site**

[www.goldencitylodge1.org](http://www.goldencitylodge1.org)



**GOLDEN CITY LODGE NO. 1,  
A.F. & A.M.**

Golden Masonic Temple, 400 Tenth Street,  
Golden, Colorado 80401

**Monday, May 6<sup>th</sup>**

**6:00 PM Dinner**

**7:00 PM** 3330<sup>th</sup> Stated Communication

Fellow Craft Degree: Brother Jose Lopez

**Saturday, May 18<sup>th</sup>**

**11:00AM** 3331<sup>st</sup> Special Communication

Master Mason Degree for Brothers  
Andrew Smith and Mason Sellars

**Monday, May 20<sup>th</sup>**

**7:00 PM** 3332<sup>nd</sup> Stated Communication

Guest Speaker Brother Kevin Townley:  
*The Phenomenon of Initiation*

**Youth Groups**

**Bethel No. 43, Job's Daughters**

2<sup>nd</sup> & 4<sup>th</sup> Mondays, 6:45 PM\*\*

(girls, 11 – 18, jobs2be 8 – 10)

**Columbine Assembly No. 96, Rainbow for Girls**

1<sup>st</sup> and 3<sup>rd</sup> Thursdays, 7:00 PM\*\*

(girls, 10 – 18, pledges 8 – 9)

**Golden Chapter, Order of DeMolay**

1<sup>st</sup> and 3<sup>rd</sup> Wednesdays, 7:00 PM\*\*

(boys, 11 – 18, squires 9-10)

\*\* Master Masons Welcome

**Other Events**

Candidate Coaching by appointment. Please call:  
601-870-8366

**Message of the Worshipful Master**

Brethren All,

I hope everyone had a good Easter, and Passover this year. We seem to be getting a lot of interest in the Craft, lately. A lot of new potential candidates have been showing up to dinners. We need to be there for these guys, and lead by example to show them our support for our honorable fraternity. Our passion for Masonry will spark their interest in joining our lodge. The more people that show up, the better the experience will be-for us, and the potential initiates. Remember too, that just showing up to lodge is not enough. We must practice what we preach outside of the lodge room as well. Live the tenets of our institution and good people will follow. We must do this to keep the Fraternity alive and well.

We are going to have a very exciting, and busy May! First off, on May 6<sup>th</sup> we will hold a Fellow Craft degree for Brother Jose Lopez. Second, on May 18<sup>th</sup> we will have a special communication for a Master Mason degree for Brothers Andrew Smith and Mason Sellars. This Master Mason degree will start at 11:00 am, and it is on a Saturday. We will have lunch and dinner that day so your RSVP would be much appreciated. You may RSVP myself, or Bro. Drew Albrecht at our emails: [patrickgood@comcast.net](mailto:patrickgood@comcast.net), [drwalbrecht@yahoo.com](mailto:drwalbrecht@yahoo.com).

Note that on May 20, we will have a special guest speaker. RWB Kevin Townley will give a talk on the phenomenon of initiation.

I have not yet received a word from any of the brethren on whether they can volunteer for our child ID booth, and dunk tank for Buffalo Bill Days. This is a BIG event for us and is a good chance to show the public what we are all about while having some good fun. We need all the brethren we can get to pull this off. Please let myself, or Worshipful Brother Byron Walker know if you can help us with this endeavor. Buffalo Bill Days is held July 26<sup>th</sup> – July 28<sup>th</sup> this year. You may contact us at: [patrickgood@comcast.net](mailto:patrickgood@comcast.net), [byrongalicem@gmail.com](mailto:byrongalicem@gmail.com).

Finally, let us not forget our mother's who have done so much for us. **Happy Mother's Day!**

Fraternally,

WM Patrick Good

**CONTACTS**

- Call **303-279-9902** to contact Golden City Lodge No. 1 AF&AM, Mt. Zion Chapter No. 133 OES, Golden Chapter No. 5 RAM, Jefferson Council No. 24 R&SM, Jefferson Highlands Commandery No.30, Friendship Court No. 7 Amaranth, Bethel No. 43 Job's Daughters, Columbine Assembly No. 96 Rainbow for Girls, Golden Chapter DeMolay.
- Call **303-861-4261** for Denver Consistory or **866-289-6797** for Scottish Rite Child Language Disorders Foundation
- Call **303-455-3470** for El Jebel Shrine or **1-800-237-5055** for Shriners Hospital or Burn Center for Children
- Call **303-756-9489** for the Robert Russell Eastern Star Masonic Center and Village

The Golden City Temple facility is available for weddings; receptions; anniversary, graduation, and birthday parties; reunions; gatherings; recitals; plays; meetings and the like. Contact the Temple Board (**303-279-9902**) for rental fees and availability.

**VETERANS AND FIRST RESPONDERS**

We are adding your service to our data base. Please advise the Secretary if you have served or are serving in the military services (your branch) or if you are a fireman, police officer, medical first responder, etc.

**Did you Know?**

Charles Stratton, better known as "Tom Thumb" and made famous by P.T. Barnum was a Mason. At the time he was given the third degree, he was 35 inches tall and weighed 52 Pounds. This was on Oct, 8, 1862.

Source: *A Medley of Masonic Miscellanea* by, E.E. Hedblom.

**GOLDEN CITY LODGE NO. 1,  
A.F. & A.M.  
2019 OFFICERS**

**WORSHIPFUL MASTER: Patrick Good**

**SENIOR WARDEN: Wyatt Page**

**JUNIOR WARDEN: Drew Albrecht**

**TREASURER: Richard Wenzel**

**SECRETARY: Daniel Hayman**  
720-808-1326

400 Tenth Street, Golden, CO 80401  
[Secretary@GoldenCityLodge1.org](mailto:Secretary@GoldenCityLodge1.org)

**SENIOR DEACON: Joseph Thornton**

**JUNIOR DEACON: Dave Buckingham**

**SENIOR STEWARD: Steven Walker**

**JUNIOR STEWARD:**

**CHAPLAIN: Victor Walker**

**MARSHAL: Michael Tims**

**TILER: Craig Petty**

**DIRECTOR OF THE WORK:**  
**Christopher Westerhoff**

**DISTRICT LECTURER: Ryan Puckett**

