

Message of the Senior Warden

Brothers,

I am constantly impressed with the quality of degree work that our Lodge performs! Great job on conferring two Entered Apprentices and a Fellowcraft degree this past month, and congratulations to those Brothers working towards another part of their Masonic journey. I am looking forward to our upcoming degree work this Spring. I also wanted to recognize everyone's dedication in getting vaccinated, wearing masks, and making it possible to get back to in-person meetings again. It is truly refreshing to be back together as a Lodge!

As always, stay safe and healthy!

Fraternally,
Mike Elegino, SW

May Birthdays

| | |
|--------------------|----------------------|
| Brother | Gregory Campbell |
| Brother | Jason Conway |
| Brother | Robert Beer |
| Worshipful Brother | Patrick Good |
| Brother | Timothy Zumalt |
| Brother | Mason Sellars |
| Brother | Michael Elegino |
| Brother | Richard Eshe |
| Brother | Mitchell Trivanovich |
| Brother | Claude Branch |
| Brother | Carl Thoutt |

CONTACTS

- Call **303-279-9902** to contact Golden City Lodge No. 1 AF&AM, Mt. Zion Chapter No. 133 OES, Golden Chapter No. 5 RAM, Jefferson Council No. 24 R&SM, Jefferson Highlands Commandery No.30, Friendship Court No. 7 Amaranth, Bethel No. 43 Job's Daughters, Columbine Assembly No. 96 Rainbow for Girls, Golden Chapter DeMolay.
- Call **303-861-4261** for Denver Consistory or **866-289-6797** for Scottish Rite Child Language Disorders Foundation.
- Call **303-455-3470** for El Jebel Shrine or **1-800-237-5055** for Shriners Hospital or Burn Center for Children.
- Call **303-756-9489** for the Robert Russell Eastern Star Masonic Center and Village.

- Fees for Degrees: \$150
- 2021 Annual Dues and Per Capita
 - Regular Members: \$125 + \$82 = \$207
 - 65+ years of age plus 25+ years as MM: \$100 + \$82 = \$182

Items for Sale

Golden Lodge Logo T-shirts.....\$10.00
 Golden Lodge Logo Polo-shirt0...\$15.00
 Further Light (booklet)\$8.00
 Clear Text Key (MM).....\$35.00

The Golden City Temple Facility is Available!

For weddings; receptions; anniversary, graduation, and birthday parties; reunions; gatherings; recitals; plays; meetings and the like, our facility is beautiful, functional and affordable!

Please contact the Temple Board (303-279-9902) for rental fees and availability.

VETERANS AND FIRST RESPONDERS

We are adding your service to our data base! Please advise the Secretary if you have served or are serving in the military (your branch) or if you are/were a first responder.

Golden City Lodge No. 1
 A.F. & A.M.
 400 Tenth Street
 Golden, Colorado 80401

Return Service Requested

NON-PROFIT ORG.
 U.S. POSTAGE PAID
 GOLDEN, COLO.
 PERMIT No. 91

DATED MATERIAL



**Golden City Lodge No. 1,
 A.F. & A.M.**

Chartered October 17, 1860

May/June 2021

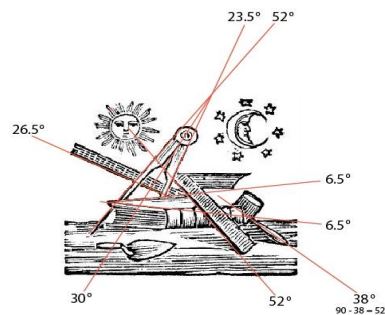
**Masonic Temple Street/Mailing
 Address:**

Golden City Lodge No. 1 A.F. & A.M.
 400 Tenth Street
 Golden, Colorado 80401

**Masonic Temple Telephone
 Number:**
 (303) 279-9902

Web Site:

www.GoldenCityLodge1.org



Golden City Lodge NO. 1, A.F. & A.M.

EVENTS SCHEDULE

May 3rd, Business meeting, light education
All Brothers Welcome

May 17th, FC Degree(s)
Second and Third Degree Masons Only

May 24th, Public Zoom Meeting
All Welcome – Link sent to Brothers via e-mail

June 7th, Steak Dinner (TBD) & Hawaiian
Shirt Night
All Brothers & Prospects/Candidates Welcome

June 21st, Special Communication For EA
Degree(s) (TBD - Check E-mail For
Information)
All Brothers Welcome

Youth Groups Events – TBD – COVID-19

Bethel No. 43, Job's Daughters
2nd & 4th Mondays, 6:45 PM**
(girls, 11 – 18, jobs2be 8 – 10)

Columbine Assembly No. 96, Rainbow for Girls
1st and 3rd Thursdays, 7:00 PM**
(girls, 10 – 18, pledges 8 – 9)

Golden Chapter, Order of DeMolay
1st and 3rd Tuesdays, 7:00 PM**
(boys, 11 – 18, squires 9-10)
** Master Masons Welcome

Message of the Worshipful Master

Brothers,

I hope this message finds you and yours healthy and well. At the time of this writing, we have now had the chance to hold two in person meetings and they have been rewarding. On the first we kicked the dust off and got back in the swing of things and the second we Initiated two new Brothers. The degree team led by JW Tom McKeen did an amazing job. We also had a chance to be involved with a Virtual Grand Lodge Visit.

The next few meetings will be busy also, we have more degree work to get caught up with and will fit in some education and fellowship. As more Brothers and the population in general is becoming more vaccinated it is opening up our possibilities for gathering in person. We are looking into trying to hold a few special meetings this Summer to catch up on some more degree work. Also on the first and third Wednesday evenings PM Tom Zumalt is leading a pool/billiards get together. It is a great chance to see our Brothers and meet Candidates and Prospects.

As a former teacher I often talked to students about continuing their education after high school and a lot of times it led to talking about what education looks like. For a student it could be college, but it could just as easily be a trade school, an apprenticeship, or military service. Continuing education in Lodge also takes many forms. We have formal education as Brothers do degree work, we have speakers and lectures come talk at meetings, but we also have the informal education. I have had many moments when a wiser Brother has come up to me during degree work or at dinners and ask a simple question such as "why do you think we do or say...." and it leads to a discussion that leads to a light bulb moment where I learn more about Masonry and grow as a person. In the coming Spring and Summer months I ask that you all look for small teachable moments. Enough of these small rain drops of knowledge falling on a willing to learn field of Brothers can lead to a plentiful harvest of Masonic and personal growth later.

Stay safe and healthy,

Fraternally,
WM Drew Albrecht

Candlelight

It was rumored Napoleon was a freemason but never proven, although he did adopt the title of "Protector of Freemasonry". However, his four brothers were masons, many of his Officers, members of his Grand Council for the Empire and 22 of the 30 Marshals of France were also Freemasons. Even his wife, was admitted into a French female lodge in 1804.

Bernard Pierre Mangam, Marshall of France and Senator was **appointed Grand Master** of the Grand Orient of France and served from 1862 to 1865. This is unusual because he was not a Mason. He was appointed by Emperor Napoleon III.

In July 1863, Confederate raiders rode into Versailles, IN, capturing the local militia and stealing the county treasury. The next day, General John Morgan (CSA), learned that his men had also made off with the jewels of the local lodge. They were returned the following day. **Morgan was from Davies Lodge** No.22, Lexington, KY.

Charles Darwin was a Freemason. Darwin became a Freemason in Scotland, and his grandfather and son also were Freemasons.

Richard E. Byrd and his pilot Bernt Balchen, both brothers, dropped Masonic flags over the north and south poles. Brother Balchen also tossed his Shrine Fez on the South Pole.

Freemasonic symbols are usually regarded as existing because of the secrecy of the Fraternity. However, in reality, Freemasonry started being illustrated by symbols because at the very beginning most Freemasons could not read, so the symbols served to remind the members of the teachings of the Fraternity. This same philosophy applies to signs and tokens as up until the modern era, most could not read or write and these were the credentials, resumes and diplomas of the day.

Source: <https://porchwaylodge7027.co.uk/some-interesting-masonic-facts/>

GOLDEN CITY LODGE NO. 1, A.F. & A.M. 2021 OFFICERS

WORSHIPFUL MASTER:
Drew Albrecht

SENIOR WARDEN: Mike Elegino

JUNIOR WARDEN: Thomas McKean

TREASURER: Richard Wenzel

SECRETARY: Daniel Hayman
720-808-1326

400 Tenth Street, Golden, CO 80401
Secretary@GoldenCityLodge1.org

SENIOR DEACON: Andrew Smith

JUNIOR DEACON: Tom Zumalt

SENIOR STEWARD: David
Buckingham

JUNIOR STEWARD: TBD

CHAPLAIN: Victor Walker

MARSHAL: Ryan Pucket

TYLER: Craig Petty

DIRECTOR OF THE WORK:
TBD

DISTRICT LECTURER: Michael Tims

