

Candlelight

It was rumored Napoleon was a freemason but never proven, although he did adopt the title of "Protector of Freemasonry". However, his four brothers were masons, many of his Officers, members of his Grand Council for the Empire and 22 of the 30 Marshals of France were also Freemasons. Even his wife, was admitted into a French female lodge in 1804.

Bernard Pierre Mangam, Marshall of France and Senator was appointed Grand Master of the Grand Orient of France and served from 1862 to 1865. This is unusual because he was not a Mason. He was appointed by Emperor Napoleon III.

In July 1863, Confederate raiders rode into Versailles, IN, capturing the local militia and stealing the county treasury. The next day, General John Morgan (CSA), learned that his men had also made off with the jewels of the local lodge. They were returned the following day. Morgan was from Davies Lodge No.22, Lexington, KY.

Charles Darwin was a Freemason. Darwin became a Freemason in Scotland, and his grandfather and son also were Freemasons.

Richard E. Byrd and his pilot Bernt Balchen, both brothers, dropped Masonic flags over the north and south poles. Brother Balchen also tossed his Shrine Fez on the South Pole.

Freemasonic symbols are usually regarded as existing because of the secrecy of the Fraternity. However, in reality, Freemasonry started being illustrated by symbols because at the very beginning most Freemasons could not read, so the symbols served to remind the members of the teachings of the Fraternity. This same philosophy applies to signs and tokens as up until the modern era, most could not read or write and these were the credentials, resumes and diplomas of the day.

Source: <https://porchwaylodge7027.co.uk/some-interesting-masonic-facts/>

Contacts

Call **303-279-9902** to contact Golden City Lodge #1 AF&AM, Mt Zion Chapter #133 OES, Golden Chapter #5 RAM, Jefferson Council #24 R&SM, Jefferson Highlands Commandery #30, Friendship Court #7 Amaranth, Bethel #43 Job's Daughters, Columbine Assembly #96 Rainbow for Girls, and Golden Chapter DeMolay

Call **303-861-4261** for Denver Consistory or **1-866-289-6797** for Scottish Rite Child Language Disorders Foundation

Call **303-455-3570** for El Jebel Shrine or **1-800-237-5055** for Shriners Hospital or Burn Center for Children.

Call **303-756-9489** for the Robert Russell Eastern Star Masonic Center and Village.

Fees for Degrees is \$150

2022 Annual Dues and Per Capita

- \$207 – Regular Members (\$125 + \$82)
- \$182 – 65+ years of age with 25+ years as a MM (\$100 + \$82)

Items for Sale

Golden Lodge T-Shirt.....	\$10.00
Golden Lodge Polo-Shirt.....	\$15.00
Further Light (booklet).....	\$ 8.00
Clear Text Key (MM).....	\$35.00

The Golden City Temple Facility is Available!

For weddings, receptions, anniversary, graduation, reunions, gatherings, recitals, plays, meetings and the like. The facility is beautiful, functional, and affordable!

Please contact the GMTA **303-279-9902** or visit <http://www.goldencitylodge1.org/calendar.html> for rental fees and availability.

Veterans and First Responders

We are adding your service to our database. Please advise the Secretary if you have serviced or are serving in the military (your branch) or if you are/were a first responder.

NON-PROFIT ORG.
U.S. POSTAGE PAID
GOLDEN, COLO.
PERMIT No. 91

DATED MATERIAL

Golden City Lodge No. 1
AF & AM
400 Tenth Street
Golden, Colorado 80401

Return Service Requested



Golden City Lodge #1 A.F. & A.M.

Chartered October 17th, 1860

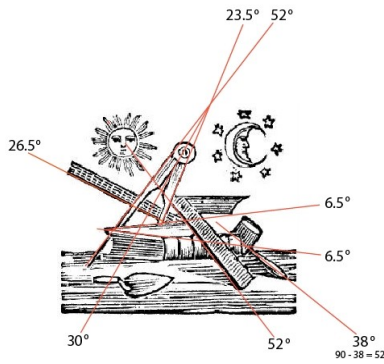
May 2022

Masonic Temple Street / Mailing Address

Golden City Lodge No. 1 A.F. & A.M.
400 10th Street
Golden, Colorado 80401

Masonic Temple Phone (303) 279-9902

Masonic Temple Web Site www.GoldenCityLodge1.org



Message of the Worshipful Master

Brethren,

Brethren, Spring is upon us. The season of growth, renewal, and change is well at hand. The same is apparent in the lodge as well. I continue to focus on growing the lodge by providing an educational presentation or ritual for every meeting. We had both WB Klostermeyer give a presentation on ritual work, as well as an internal presentation from our JD Nick Puma on meditation last month. This month will have a presentation from SD Ben Miller on the Symbolism of Incense and from WB Rob Jones (Denver #160) on Masonic Communication. I hope to encourage you to renew your love of Masonry and rekindle your enjoyment of friendship and brotherly love by joining us for these events.

Change is inevitable, and unavoidable. Spring brings us hope and aspiration for new adventures. Along life's path the opportunity will arise to choose your own journey. Sometimes that means you must forgo one path to follow another. This time has come for WB Wyatt Page. While his love, passion, and dedication to our lodge has never been a doubt, he has chosen to follow a new path in life in Illinois to remain close to his growing family. I hope you will all take the time to reach out to WB Page and offer your thanks for his years of dedicated commitment to this lodge. Personally, I want to thank WB Page for being the consummate brother in my masonic journey. His knowledge and passion for the craft is both admirable and inspirational. Without him, I would not be your WM now, as he who asked me to join the line during his year in the East. I wish him all the best as he settles into his new home just north of Chicago.

Finally, I want to look ahead to our Summer. I have spoken of this a few times in lodge, but if you haven't been able to join recently, I am trying very hard to coordinate a joint event for our temple for Buffalo Bill Days. There will be a car show in the parking lot next to the lodge, and I feel it is a perfect opportunity to draw community interest to the temple. There will be more information to come, but I hope you can all try to keep your last weekend in July open and come help volunteer in some capacity for the event. That being said, I'll leave you with my usual attempt at an inspiring quote (perhaps with a touch of irony this time). "I can't give you a recipe for success, but I can give you a recipe for failure: try to please everybody" –Frank Langella WM

Fraternally,

Thomas McKean, WM

Golden City Lodge #1 A.F & A.M

Events Schedule

- **May 2nd Stated Meeting**
Dinner at 6pm and Presentation
- **May 16th Stated Meeting**
- **Pizza, Pool, and Darts**
1st and 3rd Wednesdays at 6pm
Come and enjoy some fellowship. Bring a friend.
- **Mt Zion OES Pancake Breakfast**
4th Sunday at 8am to 11am. All you can eat pancakes, eggs, sausage, and hash browns

Youth Group Information

Bethel #43 Job's Daughters

2nd and 4th Mondays, 6:45pm
(girls, 11-18 / jobes2be 8-10)

Columbine Assembly #96 Rainbow for Girls

1st and 3rd Thursdays, 7pm
(girls, 10-18 / pledges 8-9)

Golden Chapter Order of DeMolay

1st and 3rd Tuesdays, 7pm
(boys, 12-18, squires 9-11)

Golden City Lodge #1 A.F & A.M. 2022 Officer Line

Worshipful Master.....Thomas McKean
720-789-4483
tcmckean@gmail.com

Senior Warden.....Tom Zumalt
Junior Warden.....Andrew Smith
Treasurer.....Richard Wenzell

Secretary.....Ryan Puckett
720-218-0770
secretary@goldencitylodge1.org
400 10th St, Golden, CO 80401

Senior Deacon.....Benjamin Miller
Junior Deacon.....Nick Puma
Senior Steward.....Arron Combe
Junior Steward.....David Buckingham
Chaplain.....Bill Ott
Marshal.....Drew Albrecht
Tiler.....Craig Petty
Director of the Work.....Wyatt Page
District Lecturer.....Michael Tims

2022 Committees

(first member listed is chairman)

Welfare.....Thomas McKean
Tom Zumalt, Andrew Smith
Finance.....Andrew Smith
Rick Wenzell, Jon Sanders
Grievance.....Tom Zumalt
Thomas McKean, Lloyd McKean
Posting.....Benjamin Miller
Thomas McKean, Wyatt Page
Byron Walker, Chris Westeroff
Memorials.....Thomas McKean
Tom Zumalt, Andrew Smith, Rick Wenzell
Investments.....Merritt Smith
Victor Walker, Jon Sanders, Drew Albrecht
Scholarship.....Thomas McKean
Ryan Puckett, Robert Ceriale
Technology.....Wyatt Page
Tom Zumalt, Ryan Puckett
Education.....Wyatt Page
Nick Puma, Byron Walker, Benjamin Miller
Music.....Tom Zumalt
Benjamin Miller, Thomas McKean

May Birthdays

Brother.....Gregory Campbell
Brother.....Robert Beer
Worshipful Brother.....Patrick Good
Brother.....Timothy Zumalt
Brother.....Mason Sellars
Brother.....Michael Elegino
Brother.....Richard Eshe
Brother.....Mitchell Trivanovich
Brother.....Claude Branch
Brother.....Carl Thoutt
Brother.....Aaron Russell