

The Chisel

By Bryan R Musicar, Illinois Freemasonry Magazine, Winter Issue 2022, Volume 33, #1
By Jorge Sanchez, Short Talk Bulletin, Vol 84, # 3 Mark 2006.

The preponderance of triads, or sets of three items, strikes the newly made Mason. In Freemasonry, there seems to be three of everything: three Degrees, three Principal Officers, three Greater Lights, three Lesser Lights, three Immovable Jewels; the list could go on and on. In fact, Freemasonry abounds in so many symbolic triads it is even more striking when a set of Masonic symbols does **NOT** come in a group of three.

Since being initiated as an Entered Apprentice, I have been fascinated by the working tools as symbols of our morality and as lessons into what we should be learning in each of the degrees...studying, internalizing, and then applying to our lives. During that time, I decided to explore what the other Grand Jurisdictions around the world were doing for their tools as well as their EA rituals and discovered that within the United Grand Lodge of England ("UGLE"), there was an extra tool, namely the chisel. Why this difference? In 1832, a meeting known to Masonic history as the Baltimore Convention changed many key practices of U. S. Masonry due to the anti-Masonic sentiments caused by the Morgan Affair.

Although the 24-inch gauge and common gavel may be familiar to US Blue Lodge Masons, the chisel is not! The chisel, "points out to us the advantages of education, by which means alone we are rendered fit members of regularly organized Society." This concept, pairing the chisel with education is a fascinating juxtaposition as we often consider that education is cumulative, where over time, we "accumulate" knowledge, skills, and qualifications. The chisel is an implement of great sharpness made use of by operative masons that cleaves unnecessary rock from usable stone. This is an idea that education might be used to pare away the unnecessary while leaving us with only what is vital is both profound and paradoxical meriting deep study and contemplation. In fact, the chisel is a tool of paradoxes: small yet powerful; emblematic of education via elimination, not accumulation.

Contacts

Call **303-279-9902** to contact Golden City Lodge #1 AF&AM, Mt Zion Chapter #133 OES, Friendship Court #7 Amaranth, Bethel #43 Job's Daughters, Columbine Assembly #96 Rainbow for Girls, and Golden Chapter DeMolay

Call Lee Miller **303-961-6455** or Randy Penn **303-466-8521** for York Rite Bodies at Golden: Golden Chapter #5 RAM, Jefferson Council #24 R&SM, Jefferson Highlands Commandery #30

Call **303-861-4261** for Denver Consistory or **1-866-289-6797** for Scottish Rite Child Language Disorders Foundation

Call **303-455-3570** for El Jebel Shrine or **1-800-237-5055** for Shriners Hospital or Burn Center for Children.

Call **303-756-9489** for the Robert Russell Eastern Star Masonic Center and Village.

Fees for Degrees is \$150

2022 Annual Dues and Per Capita

\$207 – Regular Members (\$125 + \$82)

\$182 – 65+ years of age with 25+ years as a MM (\$100 + \$82)

Items for Sale

Golden Lodge T-Shirt.....	\$10.00
Golden Lodge Polo-Shirt.....	\$15.00
Further Light (booklet).....	\$ 8.00
Clear Text Key (MM).....	\$35.00

The Golden City Temple Facility is Available!

For weddings, receptions, anniversary, graduation, reunions, gatherings, recitals, plays, meetings and the like. The facility is beautiful, functional, and affordable!

Please contact the GMTA **303-279-9902** or visit <http://www.goldencitylodge1.org/calendar.html> for rental fees and availability.

Veterans and First Responders

We are adding your service to our database. Please advise the Secretary if you have served or are serving in the military (your branch) or if you are/were a first responder.

NON-PROFIT ORG
U.S. POSTAGE PAID
GOLDEN, COLO.
PERMIT No. 91

DATED MATERIAL

Golden City Lodge No. 1
AF & AM
400 Tenth Street
Golden, Colorado 80401
Return Service Requested



Golden City Lodge #1 A.F. & A.M.

Chartered October 17th, 1860

December 2022

Masonic Temple Street / Mailing Address

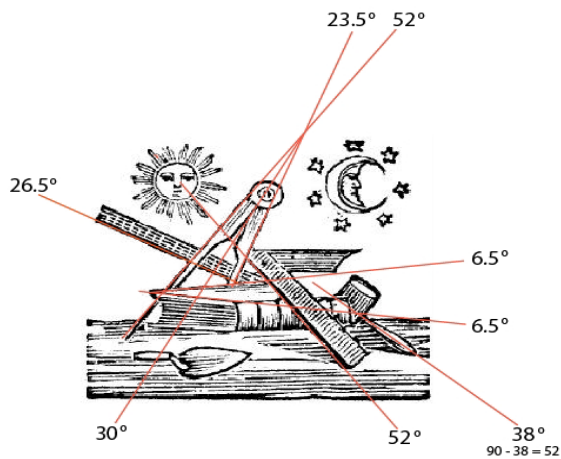
Golden City Lodge No. 1 A.F. & A.M.
400 10th Street
Golden, Colorado 80401

Masonic Temple Phone

(303) 279-9902

Masonic Temple Web Site

www.GoldenCityLodge1.org



Message of the Worshipful Master

Brethren,

As my time as Worshipful Master comes to a close, I would like to thank you all for giving me the opportunity to serve you this year. It has been and incredible honor and privilege to serve the Lodge. I look forward to continuing to assist the incoming Worshipful Master and officers in any way possible and wish him all the best in the coming years.

Looking back on the year, I feel it was an overall success. We were able to get back to the normal cadence of meetings and dinners and start to get back into the regular flow of life. One of my objectives for the year was to make sure the line was strong for the future growth of the lodge, and I feel the men we have in line are very dedicated to the craft and eager to grow as Masons. Though the pandemic has slowed our flow of candidates, we were still able to attract a few new brothers this year and look forward to watching their progress as they grow in Masonry. I was also able to hold to my commitment of having every meeting (with the exception of one) be about something more than Lodge business. We had several education sessions, degrees completed, and nights of genuine fellowship that I hope will continue to grow in the coming years.

The December 5th meeting will be Election night, so please come and support the brethren and make your voice heard about the future of the lodge. The December 19th meeting will be the Annual Installation night and Awards, which will be another great night to enjoy the ceremonial aspects of Freemasonry.

“The importance of improvement, setting an example, and shouldering responsibility for the future are our Masonic goals. And where will it all end? In brotherhood. What we build today will endure. That is our hope and our faith.” -Stanley F. Maxwell

Fraternally, WM Tom McKean

From the Desk of the Secretary

Brethren,

I’m about to complete my first year as the Secretary of the Lodge. While I feel like I’ve gotten into the groove of things, something comes up to make me realize I have much to improve.

Hopefully you have received the notification from the Grand Master on the upcoming Regional Official Visits. This will happen on December 10th from 9am to 3pm at St Vrain Lodge located at 312 Unit B Main Street, Longmont, CO 80502. If you didn’t receive my email but think you want to go, please call/txt/email me.

One of the more frustrating parts is only having snail mail as the avenue of communication with a brother. I have had a few cases just this year where a brother passed away, but we were not notified until after the family was tired of receiving monthly trestle boards or I made a personal visit.

I’m sure this is generational. Yesterday it was phone, today it is email, tomorrow will be some kind of social media widget. As a member of Mt Zion loves to joke: “It’s gotten to the point where once we pass, the guardian at the pearly gates won’t let us through since we didn’t have an email or phone number on file, didn’t have the app installed, or didn’t have the rewards card.”

Fraternally, WB Ryan Puckett

December Birthdays

Worshipful Brother.....Kevin Alcox
 Worshipful Brother.....Frank Duff
 Right Worshipful Brother.....Lloyd McKean
 Brother.....Mike Molina
 Worshipful Brother.....Wyatt Page
 Brother.....Samuel Petroff
 Brother.....Larry Skaggs
 Worshipful Brother.....Chris Westerhoff

Golden City Lodge #1 A.F & A.M.

2022 Officer Line

Worshipful Master.....Thomas McKean
 720-789-4483
tcmckean@gmail.com
 Senior Warden.....Andrew Smith
 Junior Warden.....Benjamin Miller
 Treasurer.....Richard Wenzell
 Secretary.....Ryan Puckett
 720-218-0770
secretary@goldencitylodge1.org
 400 10th St, Golden, CO 80401
 Senior Deacon.....Nick Puma
 Junior Deacon.....Aaron Combe
 Senior Steward.....Devon Campbell
 Junior Steward.....David Buckingham
 Chaplain.....Bill Ott
 Marshal.....Drew Albrecht
 Tiler.....Craig Petty
 District Lecturer.....Michael Tims

2022 Committees

(first member listed is chairman)
 Welfare.....Thomas McKean
 Tom Zumalt, Andrew Smith
 Finance.....Andrew Smith
 Rick Wenzell, Jon Sanders
 Grievance.....Tom Zumalt
 Thomas McKean, Lloyd McKean
 Posting.....Benjamin Miller
 Thomas McKean, Byron Walker, Chris Westerhoff
 Memorials.....Thomas McKean
 Tom Zumalt, Andrew Smith, Rick Wenzell
 Investments.....Victor Walker
 Jon Sanders, Drew Albrecht
 Scholarship.....Thomas McKean
 Ryan Puckett, Robert Ceriale
 Technology.....Ryan Puckett
 Tom Zumalt
 Education.....Benjamin Miller
 Nick Puma, Byron Walker
 Music.....Tom Zumalt
 Benjamin Miller, Thomas McKean

Events Schedule

December 5th Annual Communication

Dinner at 6pm, Reports and Elections

December 19th Stated Meeting

Pizza, Pool, and Darts

1st and 3rd Wednesdays at 6pm

Come and enjoy some fellowship. Bring a friend.

Mt Zion OES Pancake Breakfast

4th Sunday at 8am to 11am. All you can eat

pancakes, eggs, sausage, and hash browns

Youth Group Information

Bethel #43 Job’s Daughters

2nd and 4th Mondays, 6:45pm

(girls, 11-18 / jobs2be 8-10)

Columbine Assembly #96 Rainbow for Girls

1st and 3rd Thursdays, 7pm

(girls, 10-18 / pledges 8-9)

Golden Chapter Order of DeMolay

1st and 3rd Tuesdays, 7pm

(boys, 12-18, squires 9-11)