

Masonic Fire

By Benjamin Miller

Source:

https://www.freemasonry.bcy.ca/aqc/masonic_fire.html

As with anything Masonic there is no shortage of possible origin stories regarding the traditions of the Craft and the practice of *Masonic Fire* is not unique in that regard. Masonic *fire* is practiced in many Colorado Lodges by a clapping of the hands termed *three times three*.

In times long past it was not uncommon for celebratory gunfire to follow a drink that was raised as a toast; documentation of such revelry is traced back to before the seventeenth century. *Firing* was a way to announce the arrival of a prominent public figure or the setting of a ship to sea.

Masonic Firing was documented in *Anderson's New Book of Constitutions, 1738*; when a new Grand Master received undefined "old regular and peculiar toasts", such expressions were followed with *firing* that consisted of choreographed clapping by the brethren in attendance as a sign of reverence and admiration for the newly installed leader. *Masonic fire* developed from the firing of arms to the clapping of hands, and to the joyful pounding of sturdy drinking glasses upon the table after a toast.

There are many forms of the *three times three* which are dependent upon the culture of the Lodge. Though there are various expressions of the *firing* display they all appear to have a tie that binds them. That tie is an expression of admiration for a brother who has accepted the yoke of leadership, a man the brethren wish to salute and revere.

A toast to the brethren who were chosen to lead. We salute you; ***three times three***.

Contacts

Call **303-279-9902** to contact Golden City Lodge #1 AF&AM, Mt Zion Chapter #133 OES, Friendship Court #7 Amaranth, Bethel #43 Job's Daughters, Columbine Assembly #96 Rainbow for Girls, and Golden Chapter DeMolay

Call Lee Miller **303-961-6455** or Randy Penn **303-466-8521** for York Rite Bodies at Golden: Golden Chapter #5 RAM, Jefferson Council #24 R&SM, Jefferson Highlands Commandery #30

Call **303-861-4261** for Denver Consistory or **1-866-289-6797** for Scottish Rite Child Language Disorders Foundation

Call **303-455-3570** for El Jebel Shrine or **1-800-237-5055** for Shriners Hospital or Burn Center for Children.

Call **303-756-9489** for the Robert Russell Eastern Star Masonic Center and Village.

Fees for Degrees is \$150

2023 Annual Dues and Per Capita

\$210 – Regular Members (\$125 + \$85)

\$185 – 65+ years of age with 25+ years as a MM (\$100 + \$85)

Items for Sale

Golden Lodge T-Shirt.....\$10.00
Golden Lodge Polo-Shirt.....\$15.00
Further Light (booklet).....\$ 8.00
Clear Text Key (MM).....\$35.00

The Golden City Temple Facility is Available!

For weddings, receptions, anniversary, graduation, reunions, gatherings, recitals, plays, meetings and the like. The facility is beautiful, functional, and affordable!

Please contact the GMTA **303-279-9902** or visit <http://www.goldencitylodge1.org/calendar.html> for rental fees and availability.

Veterans and First Responders

We are adding your service to our database. Please advise the Secretary if you have served or are serving in the military (your branch) or if you are/were a first responder.

NON-PROFIT ORG
U.S. POSTAGE PAID
GOLDEN, COLO.
PERMIT No. 91

DATED MATERIAL

Golden City Lodge No. 1
AF & AM
400 Tenth Street
Golden, Colorado 80401
Return Service Requested



Golden City Lodge #1 A.F. & A.M.

Chartered October 17th, 1860

January 2023

Masonic Temple Street / Mailing Address

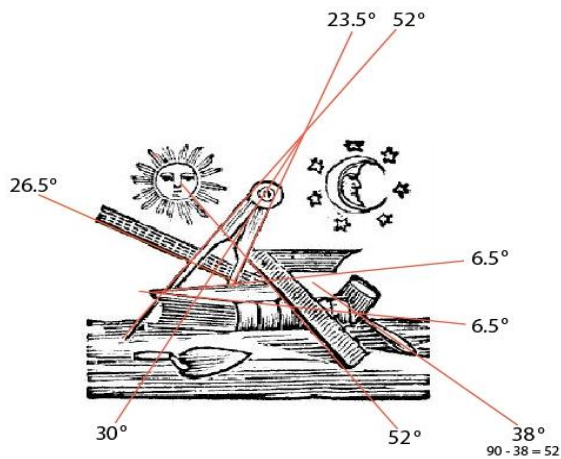
Golden City Lodge No. 1 A.F. & A.M.
400 10th Street
Golden, Colorado 80401

Masonic Temple Phone

(303) 279-9902

Masonic Temple Web Site

www.GoldenCityLodge1.org



Message of the Worshipful Master

Brethren,

The dawn of the New Year is a time of transition. As we turn the page on the calendar, we look back on the months just past and forward to the year to come. At Golden City Lodge # 1, we are also in a state of change. We're bidding a fond farewell to our parting Worshipful Master Tom McKean, with thanks for a job well done. At the same time, we welcome a new team of Lodge Officers who I'm sure will perform their duties to the best of their ability.

New Year is also a time to reflect upon what type of Man and Mason we each wish to be. While it's true that the demands of work, family, health, and other pastimes all pull on our time and energy, we shouldn't allow ourselves to forget the vow we took when first stepping upon the path of Freemasonry. To aid and assist our fellow brothers.

But what does that mean?

Do we want to be an active or passive member of the Lodge? Simply showing up for meetings or enthusiastically contributing to the running of this institution so dear to us all? If there's an opportunity to help a fellow brother, to offer advice to a younger mason, to make a phone call of support to a member in sickness or distress, or to devote time to help make Golden City the Lodge we'd all like it to be, let's not pass up that opportunity, or assume that someone else will take the lead.

In 2023 I challenge all of use to adopt the New Year's Resolution to strive to make ourselves and our fellow brothers, better men.

Fraternally,
Andrew Smith Worshipful Master

From the Desk of the Secretary

Brethren,

The 2023 officers are now installed. It was a pleasure to have WB Tom McKean conduct the ceremony as Installing Officer.

For some reason I seemed to have "heard" new things. A subsequent look at the book confirms that the words were always there. Perhaps in the past my mind was simply fluttering away. In any case, I, and other brothers, had to chuckle at the phrase "a good penman". I remember from so many years ago, that when WB Byron came to my signature on an investigation report, he simply reported "Brother scribble". Another phrase, which even caught my predecessor by surprise, was "retain him in office until he 'grows gray in the service.'" Curse my dark hair! A reminder that I need to get comfy for the long haul.

Finally, a reminder of our 162nd Annual Communication of the Grand Lodge of Colorado on Thursday January 26th through Saturday January 28th at the Denver Tech Center DoubleTree, 7801 E Orchard Rd, Greenwood Village, CO 80111.

Fraternally, WB Ryan Puckett

January Birthdays

Worshipful Brother.....James Arbuckle
 Brother.....Gary Bennett
 Brother.....Aaron Combe
 Brother.....Charles Cook
 Brother.....Loran DeLong
 Brother.....James England
 Brother.....Edward Hartl
 Worshipful Brother.....Danny Hayman
 Brother.....James Overturf
 Worshipful Brother.....Craig Petty
 Brother.....Canion Puckett
 Brother.....Nick Puma
 Worshipful Brother.....Tom Zumalt

Golden City Lodge #1 A.F & A.M.

2023 Officer Line

Worshipful Master.....Andrew Smith
 303-667-1332
 wiley258@gmail.com

Senior Warden..... Benjamin Miller
 Junior Warden.....Nick Puma
 Treasurer.....Richard Wenzell
 Secretary.....Ryan Puckett
 720-218-0770
secretary@goldencitylodge1.org
 400 10th St, Golden, CO 80401

Senior Deacon.....Aaron Combe
 Junior Deacon.....Devon Campbell
 Senior Steward.....Bill Ott
 Junior Steward.....David Buckingham
 Chaplain.....Thomas McKean
 Tiler.....Craig Petty

District Lecturer.....Michael Tims

2023 Committees

(Chairman)

Welfare.....Andrew Smith
 Finance.....Nick Puma
 Grievance.....Benjamin Miller
 Posting.....Aaron Combe
 Memorials.....Andrew Smith
 Investments.....Andrew Smith
 Scholarship.....Andrew Smith
 Technology.....Ryan Puckett
 Education.....Nick Puma
 Music.....Tom Zumalt

Events Schedule

January 2nd Stated Meeting

Dinner at 6pm

January 16th Stated Meeting

Pizza, Pool, and Darts

1st and 3rd Wednesdays at 6pm

Come and enjoy some fellowship. Bring a friend.

Mt Zion OES Pancake Breakfast

4th Sunday at 8am to 11am. All you can eat pancakes, eggs, sausage, and hash browns

Youth Group Information

Bethel #43 Job's Daughters

2nd and 4th Mondays, 6:45pm

(Girls, 11-18 / Jobes2be 8-10)

Columbine Assembly #96 Rainbow for Girls

1st and 3rd Thursdays, 7pm

(Girls, 10-18 / Pledges 8-9)

Golden Chapter Order of DeMolay

1st and 3rd Tuesdays, 7pm

(Boys, 12-18, Squires 9-11)