

The Change

Nick Puma

Can you feel the eeriness creeping in?

Gone as fast as Septembers warm winds

Shorter days and coolers eves

The changing colors of the Mountain leaves..

it's been going on for ages and ages

Even when those would work for Masters wages.

Yes ,You can feel the change in the Autumn air

So let us always remember to meet on the level and part on the square

Contacts

Call **303-279-9902** to contact Golden City Lodge #1 AF&AM, Mt Zion Chapter #133 OES, Friendship Court #7 Amaranth, Bethel #43 Job's Daughters, Columbine Assembly #96 Rainbow for Girls, and Golden Chapter DeMolay

Call Lee Miller **303-961-6455** or Randy Penn **303-466-8521** for York Rite Bodies at Golden: Golden Chapter #5 RAM, Jefferson Council #24 R&SM, Jefferson Highlands Commandery #30

Call **303-861-4261** for Denver Consistory or **1-866-289-6797** for Scottish Rite Child Language Disorders Foundation

Call **303-455-3570** for El Jebel Shrine or **1-800-237-5055** for Shriners Hospital or Burn Center for Children.

Call **303-756-9489** for the Robert Russell Eastern Star Masonic Center and Village.

Fees for Degrees is \$150

2023 Annual Dues and Per Capita

\$210 – Regular Members (\$125 + \$85)

\$185 – 65+ years of age with 25+ years as a MM (\$100 + \$85)

Items for Sale

Golden Lodge T-Shirt.....	\$20.00
Golden Lodge Polo-Shirt.....	\$15.00
Further Light (booklet).....	\$ 8.00
Clear Text Key (MM).....	\$35.00

The Golden City Temple Facility is Available!

For weddings, receptions, anniversary, graduation, reunions, gatherings, recitals, plays, meetings and the like. The facility is beautiful, functional, and affordable!

Please contact the GMTA **303-279-9902** or visit <http://www.goldencitylodge1.org/calendar.html> for rental fees and availability.

Veterans and First Responders

We are adding your service to our database. Please advise the Secretary if you have served or are serving in the military (your branch) or if you are/were a first responder.

NON-PROFIT ORG
U.S. POSTAGE PAID
GOLDEN, COLO.
PERMIT No. 91

DATED MATERIAL

Golden City Lodge No. 1
AF & AM
400 Tenth Street
Golden, Colorado 80401
Return Service Requested



Golden City Lodge #1 A.F. & A.M.

Chartered October 17th, 1860

October 2023

Masonic Temple Street / Mailing Address

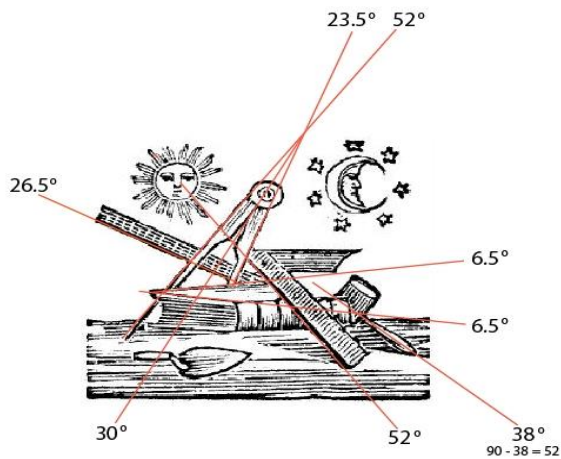
Golden City Lodge No. 1 A.F. & A.M.
400 10th Street
Golden, Colorado 80401

Masonic Temple Phone

(303) 279-9902

Masonic Temple Web Site

www.GoldenCityLodge1.org



Message of the Worshipful Master

Brethren,

October sees the 2nd Friday 13th of 2023, and the 716th anniversary of France’s King Philip IV’s mass arrest of more than 600 members of the Knights Templar leading to the dissolution of the Order and the brutal torture and burning at the stake of countless Knights. And the beginning of a superstition known throughout western culture even among those who don’t consider themselves to be superstitious. As well as a horror movie franchise with (so far) 12 episodes.

On a happier note; Friday October 13th is also the 23rd anniversary of the cornerstone ceremony for the White House, in Washington DC. On Friday, October 13, 1792, a procession of Masons formed at the Fountain Inn in Georgetown and marched through the woods to the site of the excavated foundation of the new “President’s House” in the Federal City. The barest outlines of roads were still being cleared through the forest when the Freemasons laid the cornerstone of the first federal building in the town, without much public fanfare. The mansion’s architect, James Hoben was a member of Georgetown Lodge No 9. He took part in the ceremonial laying of the cornerstone and became the founding master of Federal Lodge No. 15 the following year.

The cornerstone was placed in the southwest corner of the foundation using the traditional Masonic ceremony. A brass plate was placed under the stone, which read:

“This first stone of the President’s House was laid the 13th day of October 1792, and in the 17th Year of the Independence of the United States of America.”

Bonus question: Did you know there is a word for the fear of Friday 13th? Well, there is. It’s “Friggatriskaidekaphobia.” Try to use that at least twice in regular conversation this month.

WM Andrew Smith

Golden City Lodge #1 A.F & A.M.

2023 Officer Line

Worshipful Master.....	Andrew Smith 303-667-1332 wiley258@gmail.com
Senior Warden.....	Benjamin Miller
Junior Warden.....	Nick Puma
Treasurer.....	Richard Wenzell
Secretary.....	Ryan Puckett 720-218-0770 secretary@goldencitylodge1.org 400 10th St, Golden, CO 80401
Senior Deacon.....	Aaron Combe
Junior Deacon.....	Devon Campbell
Senior Steward.....	Bill Ott
Junior Steward.....	David Buckingham
Chaplain.....	Thomas McKean
Tiler.....	Craig Petty
District Lecturer.....	Michael Tims

2023 Committees

	(Chairman)
Welfare.....	Andrew Smith Benjamin Miller, Nick Puma
Finance.....	Nick Puma Rick Wenzel, Ryan Puckett
Grievance.....	Benjamin Miller Aaron Combe, Bill Ott
Posting.....	Aaron Combe Tom Zumalt, Byron Walker, Chris Westeroff
Memorials.....	Andrew Smith Bill Ott, Tom Zumalt, Rick Wenzel
Investments.....	Andrew Smith Thomas McKean
Scholarship.....	Andrew Smith Ryan Puckett, Benjamin Miller
Technology.....	Ryan Puckett Tom Zumalt, Benjamin Miller
Education.....	Nick Puma Benjamin Miller, Byron Walker
Music.....	Tom Zumalt Thomas McKean, Aaron Combe

Events Schedule

**October 2nd – Regular Meeting at 7pm
Dinner at 6pm**

October 16th – Normal Meeting at 7pm

Pizza, Pool, and Darts

1st and 3rd Wednesdays at 6pm
Come and enjoy some fellowship. Bring a friend.

Mt Zion OES Pancake Breakfast

4th Sunday at 8am to 11am. All you can eat pancakes, eggs, sausage, and hash browns.

Youth Group Information

Bethel #43 Job’s Daughters

2nd and 4th Mondays, 6:45pm
(Girls, 11-18 / Jobes2be 8-10)

Columbine Assembly #96 Rainbow for Girls

1st and 3rd Thursdays, 7pm
(Girls, 10-18 / Pledges 8-9)

Golden Chapter Order of DeMolay

1st and 3rd Tuesdays, 7pm
(Boys, 12-18, Squires 9-11)

October Birthdays

Brother	Mike Current
Worshipful Brother	Thomas Dunn
Worshipful Brother	Michael Mills
Brother	Kemry Wait
Worshipful Brother	Steven Walker