

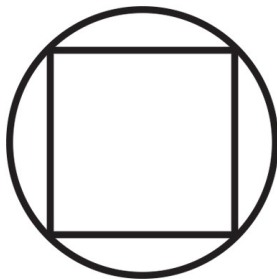
Iron

by Brother Benjamin Miller

The Craftsmen do not wield tools of iron within the Temple. No hammer, no chisel piercing the solemn peace of the inner court. What is iron formed of flame? Flame of passion the iron of unsavory pride. Iron forbidden, no place inside. We hele from the West; easterly bound. Darkness to the left, high noon on the right. Our Brothers beside us, chasing the light. Hold no contention, no iron in sight. Be patient Brother, your time in the quarry is setting as westerly Sun. The quarry full of ringing iron. You, quarried stone, rough and oblong are fashioned and formed. By your own hand, striking with Common, you shall shape and square, measure then hone. Leave your iron in the quarry dear Brother. Leave it alone.

Enter our Temple with reverence and peace; walk our level path. Our path laid out, by our Fathers in Craft. Begin to build and you shall see why nothing is stronger and supports more than harmony.

This lesson is vague, for those without. Those within may chuckle and grin.



Contacts

Call **303-279-9902** to contact Golden City Lodge #1 AF&AM, Mt Zion Chapter #133 OES, Friendship Court #7 Amaranth, Bethel #43 Job's Daughters, Columbine Assembly #96 Rainbow for Girls, and Golden Chapter DeMolay

Call Lee Miller **303-961-6455** or Randy Penn **303-466-8521** for York Rite Bodies at Golden: Golden Chapter #5 RAM, Jefferson Council #24 R&SM, Jefferson Highlands Commandery #30

Call **303-861-4261** for Denver Consistory or **1-866-289-6797** for Scottish Rite Child Language Disorders Foundation

Call **303-455-3570** for El Jebel Shrine or **1-800-237-5055** for Shriners Hospital or Burn Center for Children.

Call **303-756-9489** for the Robert Russell Eastern Star Masonic Center and Village.

Fees for Degrees is \$150

2023 Annual Dues and Per Capita

\$210 – Regular Members (\$125 + \$85)

\$185 – 65+ years of age with 25+ years as a MM (\$100 + \$85)

Items for Sale

Golden Lodge T-Shirt.....	\$20.00
Golden Lodge Polo-Shirt.....	\$15.00
Further Light (booklet).....	\$ 8.00
Clear Text Key (MM).....	\$35.00

The Golden City Temple Facility is Available!

For weddings, receptions, anniversary, graduation, reunions, gatherings, recitals, plays, meetings and the like. The facility is beautiful, functional, and affordable!

Please contact the GMTA **303-279-9902** or visit <http://www.goldencitylodge1.org/calendar.html> for rental fees and availability.

Veterans and First Responders

We are adding your service to our database. Please advise the Secretary if you have served or are serving in the military (your branch) or if you are/were a first responder.

NON-PROFIT ORG
U.S. POSTAGE PAID
GOLDEN, COLO.
PERMIT No. 91

DATED MATERIAL

Golden City Lodge No. 1
AF & AM
400 Tenth Street
Golden, Colorado 80401
Return Service Requested



Golden City Lodge #1 A.F. & A.M.

Chartered October 17th, 1860

November 2023

Masonic Temple Street / Mailing Address

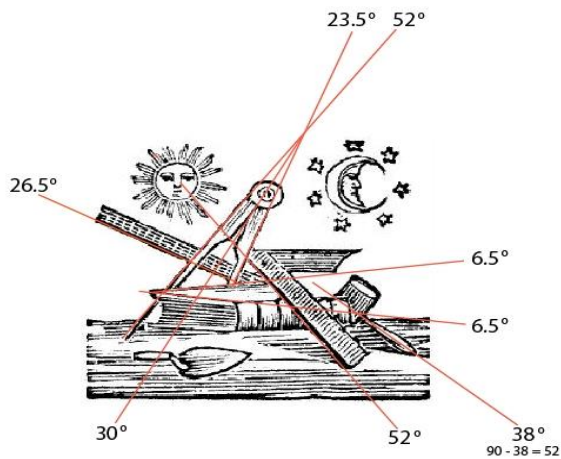
Golden City Lodge No. 1 A.F. & A.M.
400 10th Street
Golden, Colorado 80401

Masonic Temple Phone

(303) 279-9902

Masonic Temple Web Site

www.GoldenCityLodge1.org



Message of the Worshipful Master

Brethren,

Browsing the web for something related to Halloween, rather than Freemasonry, I came across the factoid that October 31 st is also the anniversary of the opening of Mt Rushmore National Memorial. Located in South Dakota, the colossal sculpture features the heads of Presidents Washington, Jefferson, Roosevelt and Lincoln.

Three of those four were Freemasons.

Admittedly, Jefferson's membership in the craft is rumored, rather than confirmed but there are 14 other American presidents known to have been Freemasons; the last being Harry S Truman.

Additionally, Lyndon B. Johnson was initiated into the first degree and Ronald Reagan was made an honorary Freemason. As many as 9 signers of the Declaration of Independence are believed to have been Masons, while 13 signed the US Constitution.

These early Masons took great pride in ensuring that their order stayed private and was not known to the outside world. Washington and Franklin for example took great pains to avoid connecting their political views to their Masonic association. The same can be said for those leaders who followed.

Something which has always caused me a certain level of disquiet, is the propensity for some Masons, even those at a High Level of the Colorado Craft, to bring their political opinions into the Lodge. Not only is this contrary to the spirit of Freemasonry, where all are welcome, the Lodge should not be a place for political

debate or the conflict which almost inevitably follows. It is important to remember not every Mason will share our political, or religious views and it is at best, inconsiderate to assume they will want to hear these opinions in Lodge.

No matter our personal convictions, lets follow the lead of the Founding Fathers and respect our Brothers by keeping our political and religious views private.

Rather, let harmony prevail and every moral and social virtue cement us..

WM Andrew Smith

From the Desk of the Secretary

Brethren,

The Grand Lodge is shipping out the 2024 Dues cards, and I'll be sending out Dues notices later this month.

If you have not heard, during the August Grand Lodge session, per capita rates went up from \$85 to \$104. The result is that normal dues will be \$229 and reduced will be \$204.

This is a huge jump! If you think this is going to be a problem, please give me a call or send me an email so we can figure things out. The goal is to not to get into a situation where I have to suspend brethren for non-payment of dues.

WB Ryan Puckett
Secretary

November Birthdays

Worshipful Brother	Timoth Johansson
Brother	Larry McEntire
Brother	Jonathan Sellars
Worshipful Brother	Richard Wenzel

Golden City Lodge #1 A.F & A.M.

2023 Officer Line

Worshipful Master.....	Andrew Smith
	303-667-1332
	wiley258@gmail.com
Senior Warden.....	Benjamin Miller
Junior Warden.....	Nick Puma
Treasurer.....	Richard Wenzell
Secretary.....	Ryan Puckett
	720-218-0770
	secretary@goldencitylodge1.org
	400 10th St, Golden, CO 80401
Senior Deacon.....	Aaron Combe
Junior Deacon.....	Devon Campbell
Senior Steward.....	Bill Ott
Junior Steward.....	David Buckingham
Chaplain.....	Thomas McKean
Tiler.....	Craig Petty

District Lecturer.....	Michael Tims
------------------------	--------------

2023 Committees

	(Chairman)
Welfare.....	Andrew Smith
	Benjamin Miller, Nick Puma
Finance.....	Nick Puma
	Rick Wenzel, Ryan Puckett
Grievance.....	Benjamin Miller
	Aaron Combe, Bill Ott
Posting.....	Aaron Combe
	Tom Zumalt, Byron Walker, Chris Westeroff
Memorials.....	Andrew Smith
	Bill Ott, Tom Zumalt, Rick Wenzel
Investments.....	Andrew Smith
	Thomas McKean
Scholarship.....	Andrew Smith
	Ryan Puckett, Benjamin Miller
Technology.....	Ryan Puckett
	Tom Zumalt, Benjamin Miller
Education.....	Nick Puma
	Benjamin Miller, Byron Walker
Music.....	Tom Zumalt
	Thomas McKean, Aaron Combe

Events Schedule

November 6th – Step up Meeting at 7pm
Dinner at 6pm

November 20th – Normal Meeting at 7pm

Pizza, Pool, and Darts

1st and 3rd Wednesdays at 6pm

Come and enjoy some fellowship. Bring a friend.

Mt Zion OES Pancake Breakfast

4th Sunday at 8am to 11am. All you can eat pancakes, eggs, sausage, and hash browns.

Youth Group Information

Bethel #43 Job's Daughters

2nd and 4th Mondays, 6:45pm

(Girls, 11-18 / Jobes2be 8-10)

Columbine Assembly #96 Rainbow for Girls

1st and 3rd Thursdays, 7pm

(Girls, 10-18 / Pledges 8-9)

Golden Chapter Order of DeMolay

1st and 3rd Tuesdays, 7pm

(Boys, 12-18, Squires 9-11)