

A Change is a Brewing

I should clarify not eminent future change, though that might happen as well, but a look back at a couple of recent changes:

“Pizza and Pool” every 1st and 3rd Wednesdays! Have you attended one of our Pizza and Pool nights? WBs Tom Zumalt and Craig Petty have made the 1st and 3rd Wednesdays into a must go event. It is an opportunity to meet your brothers in a casual setting. Are you an EA or FC? Take this time to work on proficiency, and if you are a MM, maybe you can work on your questions too. Are you a visiting MM? Take a tour and see if our lodge is a fit for you. A visiting WB from California was very impressed with our Chamber of Reflection. (another recent change brought to you by our WB Page). While you can in theory do this at a regular meeting, you are in a different frame of mind and there are other pressures at work. No pressure at Pizza/Pool, other than who’s going to break and/or be a pool shark.

“Masonic Education”! In the past two years, WB Thomas McKean and WM Andrew Smith have really hammered on this. And from what I’ve seen so far, the next guy in line is no slouch! If we are not doing degrees, the WM or designated officer is giving a talk either on a new way to look at Masonry or expounding on a specific symbol. “Was Sherlock a Freemason”, “Beekeeping”, “What’s a Cowan”, “Leadership and Enlightenment”.

So be sure to come to our meetings and events.

Contacts

Call **303-279-9902** to contact Golden City Lodge #1 AF&AM, Mt Zion Chapter #133 OES, Friendship Court #7 Amaranth, Bethel #43 Job’s Daughters, Columbine Assembly #96 Rainbow for Girls, and Golden Chapter DeMolay

Call Lee Miller **303-961-6455** or Randy Penn **303-466-8521** for York Rite Bodies at Golden: Golden Chapter #5 RAM, Jefferson Council #24 R&SM, Jefferson Highlands Commandery #30

Call **303-861-4261** for Denver Consistory or **1-866-289-6797** for Scottish Rite Child Language Disorders Foundation

Call **303-455-3570** for El Jebel Shrine or **1-800-237-5055** for Shriners Hospital or Burn Center for Children.

Call **303-756-9489** for the Robert Russell Eastern Star Masonic Center and Village.

Fees for Degrees is \$150

2024 Annual Dues and Per Capita

\$228 – Regular Members (\$125 + \$103)

\$203 – 65+ years of age with 25+ years as a MM
(\$100 + \$103)

Items for Sale

Golden Lodge T-Shirt.....	\$20.00
Golden Lodge Polo-Shirt.....	\$15.00
Further Light (booklet).....	\$ 8.00
Clear Text Key (MM).....	\$35.00

The Golden City Temple Facility is Available!

For weddings, receptions, anniversary, graduation, reunions, gatherings, recitals, plays, meetings and the like. The facility is beautiful, functional, and affordable!

Please contact the GMTA **303-279-9902** or visit <http://www.goldencitylodge1.org/calendar.html> for rental fees and availability.

Veterans and First Responders

We are adding your service to our database. Please advise the Secretary if you have served or are serving in the military (your branch) or if you are/were a first responder.

NON-PROFIT ORG
U.S. POSTAGE PAID
GOLDEN, COLO.
PERMIT No. 91

DATED MATERIAL

Golden City Lodge No. 1
AF & AM
400 Tenth Street
Golden, Colorado 80401
Return Service Requested



Golden City Lodge #1 A.F. & A.M.

Chartered October 17th, 1860

December 2023

Masonic Temple Street / Mailing Address

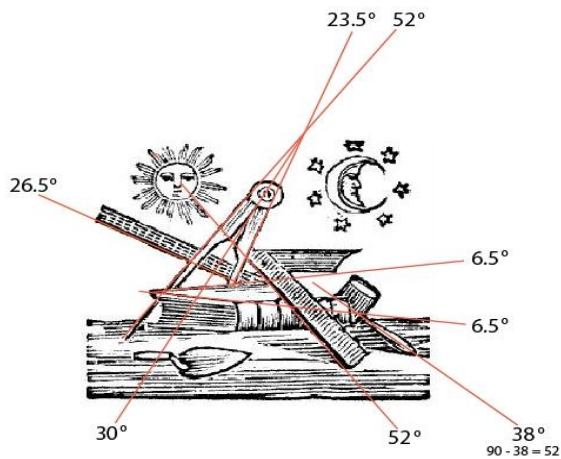
Golden City Lodge No. 1 A.F. & A.M.
400 10th Street
Golden, Colorado 80401

Masonic Temple Phone

(303) 279-9902

Masonic Temple Web Site

www.GoldenCityLodge1.org



Message of the Worshipful Master

Brethren,

Prior to my installation, Past Master Albrecht told me I would be surprised at how quickly the year would go by. This seemed unlikely in January where the months seemed to stretch ahead forever. Yet here we are, December already and this will be my final Trestle board Master’s message. No doubt to the relief of Secretary Puckett who will no longer have to keep chasing me for the copy.

As it is, I’m writing this on Thanksgiving Day, which is a time for all of us to take a moment and do what we should perhaps do every day and show gratitude for the myriad of ways by which we have all been blessed.

By the time December’s Trestle board reaches you however, we’ll be looking forward to Christmas and the New Year. These holidays have little direct connection with Freemasonry, but there is another celebration at this time of year, which is at the very heart of our practice. Masons are said to come from the Lodge of the Holy Saints John for reasons which sadly, are unknown today. What we do know is that their feast days fall at the ends of June and December, which suggests a connection to the balance of the celestial equinox.

Through this link, winter is said to be represented by Saint John the Evangelist, whose feast day falls on December 27th.

The Feast of the Evangelist is little remembered today, although in the past, it was considered of high importance for Freemasonry due to its proximity to the holidays and the presence of Lodge members being close to home. Through the lens of symbolism, John the Evangelist gives

us a means to find resonance with the holiday of giving and compassion to the fraternity of brotherly love, relief, and truth.

On that note, I wish you all a safe and happy holiday season, however you celebrate.
WM Andrew Smith

From the Desk of the Secretary

Brethren,

In the last trestle board, I incorrectly indicated the cost per capita. The correct amount is \$103, which brings normal dues to \$228 and reduced to \$203.

You should be getting your dues notices soon if you haven’t already.

Once again, if you think this jump is going to be a problem, please give me a call or send me an email so we can things figured out for you. The goal is to not to get into a situation where I must suspend you for non-payment of dues.

WB Ryan Puckett
Secretary

December Birthdays

Worshipful Brother	Kevin Alcox
Brother	Frank Duff
Right Worshipful Brother	Llyod McKean
Worshipful Brother	Thomas McKean
Brother	Michael Molina
Worshipful Brother	Wyatt Page
Brother	Samuel Petroff
Brother	Larry Skaggs
Worshipful Brother	Christopher Westeroff

Golden City Lodge #1 A.F & A.M.

2023 Officer Line

Worshipful Master.....	Andrew Smith
	303-667-1332
	wiley258@gmail.com
Senior Warden.....	Benjamin Miller
Junior Warden.....	Nick Puma
Treasurer.....	Richard Wenzell
Secretary.....	Ryan Puckett
	720-218-0770
	secretary@goldencitylodge1.org
	400 10th St, Golden, CO 80401
Senior Deacon.....	Aaron Combe
Junior Deacon.....	Devon Campbell
Senior Steward.....	Bill Ott
Junior Steward.....	David Buckingham
Chaplain.....	Thomas McKean
Tiler.....	Craig Petty
District Lecturer.....	Michael Tims

2023 Committees

	(Chairman)
Welfare.....	Andrew Smith
	Benjamin Miller, Nick Puma
Finance.....	Nick Puma
	Rick Wenzel, Ryan Puckett
Grievance.....	Benjamin Miller
	Aaron Combe, Bill Ott
Posting.....	Aaron Combe
	Tom Zumalt, Byron Walker, Chris Westeroff
Memorials.....	Andrew Smith
	Bill Ott, Tom Zumalt, Rick Wenzel
Investments.....	Andrew Smith
	Thomas McKean
Scholarship.....	Andrew Smith
	Ryan Puckett, Benjamin Miller
Technology.....	Ryan Puckett
	Tom Zumalt, Benjamin Miller
Education.....	Nick Puma
	Benjamin Miller, Byron Walker
Music.....	Tom Zumalt
	Thomas McKean, Aaron Combe

Events Schedule

December 4th – Annual Communications, Elections, Reports, Dinner at 6pm

December 18th – Normal Meeting at 7pm

Pizza, Pool, and Darts

1st and 3rd Wednesdays at 6pm

Come and enjoy some fellowship. Bring a friend.

Mt Zion OES Pancake Breakfast

Will resume on January 28th at 8am – 11am.

(new menu...adding waffles, biscuits/gravy)

Youth Group Information

Bethel #43 Job’s Daughters

2nd and 4th Mondays, 6:45pm

(Girls, 11-18 / Jobes2be 8-10)

Columbine Assembly #96 Rainbow for Girls

Need Master Masons to attend meetings

1st and 3rd Thursdays, 7pm

(Girls, 10-18 / Pledges 8-9)

Golden Chapter Order of DeMolay

1st and 3rd Tuesdays, 7pm

(Boys, 12-18, Squires 9-11)