

**GOLDEN CITY LODGE NO. 1 A.F. & A.M. 2011
STANDING COMMITTEES**

WELFARE

D. Hayman, WM (Chair)
L. Walker, SW
J. O'Brine, JW

FINANCE

J. O'Brine, JW (Chair)
R. Pitcock
D. Cooper

MEMORIAL FUNDS

J. O'Brine, SD (Chair)
C. Westerhoff
J. Arbuckle

POSTING

C. Westerhoff, SD (Chair)
J. O'Brine
M. Tims
R. Wenzel

GRIEVANCE

L. Walker, SW (Chair)
M. Smith
M. Mues

INVESTMENTS

R. Wenzel (Chair)-
-(2009-2011)
D. Hayman (2010-2012)
R. Pitcock (2011-2013)
L. McKean (non-voting)

2011 SPECIAL COMMITTEES

**SESQUICENTENNIAL
CELEBRATION**

D. Hayman (Chair)
B. Walker
B. House
N. Ramsey
B. Strotz
R. Wenzel
R. Franklin

FUNERALS

D. Hayman, WM (Chair)
L. Walker, SW
J. O'Brine, JW
B. Walker, Sec
J. Arbuckle, Tyler

**DIRECTOR'S OF THE
WORK**

M. Smith (Chair)
Sr. Line Officers
D. Cooper
M. Mues
B. Walker

MASONIC EDUCATION

M. Smith, (Chair)
Line officers

REFRESHMENTS

J. O'Brine, (Chair)
R. Franklin
W. Strotz

LIVING PAST MASTERS

Merritt E. Smith:1967	Willis S. Sample:1995
Tommy R. Cook:1968	John A. McKenry III: 1996
Arthur R. Toney: 1974	Craig R. Petty: 1997
Gilbert A. Acevedo: 1975	E. Frederick Ernst: 1998
James K. Arbuckle: 1980	M. John Bernstein: 1999
Elmer E. King: 1981	Richard A. Cook: 2000
Elbert F. Floyd: 1983	Cliff Addenbrooke: 2001
Michael D. Mills:1984	Byron G. Walker: 2002
Timothy A. Johansson: 1985	Byron G. Walker: 2003
Wallace A. Techentien: 1988	Richard M. Wenzel: 2005
Charles W. Robinson: 1989	David A. Cooper: 2006
Ben H. Parker Jr.: 1990	Thomas E. Dunn: 2007
Marvin "Boots" Lewis: 1994	Thomas E. Dunn: 2008
	Michael Tims: 2009
	Richard M. Wenzel: 2010

LIVING PAST MASTERS OF OTHER LODGES

Howard Caldwell	Leonard Mohr
Wesley Campbell	Max Mues
Neil Colin	Charles Noah
Melvin D. Gullett	James Norris
Michael Halpin	Ronald Richards
Howard Hohnstein	Chris A. Westerhoff
John Hohnstein	
Lloyd McKean	

**GOLDEN MASONIC TEMPLE ASSOCIATION
BOARD OF DIRECTORS**

D. Cooper, President (303-929-5486) (2008-2012)
M.Tims, Vice President (303-932-1530) (Temple Scheduler)
mtmmt@msn.com (2010-2014)
M. Smith, Sec/Treasurer, (303-423-8016) (2009-2013)
R. Wenzel, (720-413-1790) (2011-2015)
Craig Petty, (303-902-2862) (2010-2011)

Temple Caretaker

Leonard Walker
303-548-9814
Temple Telephone (303) 279-9902

NON-PROFIT ORG
U.S. POSTAGE PAID
GOLDEN, COLO.
PERMIT No. 91

DATED MATERIAL

Golden City Lodge No. 1
A.F. & A.M.
400 Tenth Street
Golden, Colorado 80401

Return Service Requested

Golden City Lodge
No. 1 A.F. & A.M.



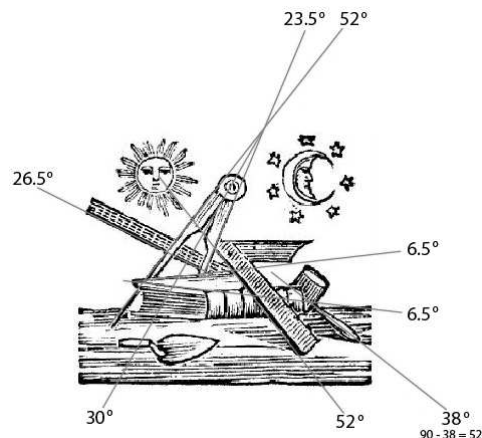
Chartered October 17, 1860

Masonic Temple Street Address
400 Tenth Street
Golden, Colorado

Masonic Temple Mailing Address
Golden City Lodge No. 1 A.F. & A. M.
400 Tenth Street
Golden, Colorado 80401

Masonic Temple Telephone Number:
(303) 279-9902

Please visit our web page:
<http://GoldenCityLodgeNo1.org>



**GOLDEN CITY LODGE
NO. 1 A.F. & A.M.**

FEBRUARY 2011

Monday, February 7, 2011

Golden Masonic Temple

6:00 PM Family/Friends Night Dinner*

7:00 PM 3183rd Stated Communication and
Family/Friends Invitation to See Presentation
On Egyptology and Our Masonic Roots

ALL INVITED!

Monday, February 21, 2011

Golden Masonic Temple

6:30 PM, Light Refreshments

7:00 PM, 3184th Stated Communication
Degree Work as Necessary

* Dinner served by Mr. Zion Chapter No. 133. OES,
\$10 Donation

IN MEMORIAM

Earl F. Hudson

born: 27 October 1937

raised: 5 February 1970

entered the Celestial Lodge above on
26 December 2010

Message of the Worshipful Master

Brethren,

I hope you all had a wonderful holiday season and are looking forward to a bright and prosperous new year!

For our Lodge, things continue to look brighter! We have a steady flow of prospective and new Brothers and plenty of motivated Brother Master Masons to help mentor. There seems to be a sense of joviality in the air as well as a sense of purpose and belonging. It warms my heart and puts a smile on my face when I walk into any given room in the Lodge and hear laughter and see smiles before anything else. I am seeing more of that now than ever! Let's keep it up—and if you see a fellow Brother “hanging around,” invite him into the circle and bring him up to speed on the joke of the day. Brothers, we are adding more grapes to our vine. Given time, and a little attention, the grapevine will render wine!

Our lodge building and facilities are also going or about to go through change. We are in the process of moving away from our old slide machine to our new computer, enabling us to offer a richer and more vibrant experience in our degree work and our Masonic Education. There are active discussions about how best to enhance our facilities in other ways as well, which we all hope will make the building more attractive for rental income. With regard to this, we are all looking for ideas and input. The more ideas from which we have to choose, the easier it will be to make the proper building investments and attract rental income. As we all know, money does not make the world go around, but it does help to grease the gears! Now is the time to start thinking about this—when we can be proactive. If we wait until the coffers are dry, it will be too late. Food for thought, and yet one more way we can *all* take an active part in the health of our lodge.

Last, I hope to see as many of you and your families as possible at our family night on February 7th. This will be an open dinner meeting starting at 6:00PM for dinner. At approximately 7:00PM, Brother Ted Snook, a lifelong scholar of Egyptology, will present a program on Egyptology and our Masonic roots as they date back to that period. It's sure to be something you will probably never again see the likes of and if you are not *extremely careful*, you might just walk away from this having learned a thing or two!

Fraternally,
Daniel S. Hayman, Worshipful Master

REMINDERS:

Youth Groups

Bethel No. 43 Job's Daughters
2nd & 4th Mondays, 7:00 PM

Golden Chapter Order of DeMolay
1st and 3rd Wednesday, 7:00 PM
**Pancake Breakfast Fund Raiser, February
26, 7:30-9:30, Applebee's, 10635 W Colfax**

Pancake Breakfast
4th Sunday of every month,
8:00 AM to 11:00 AM,
hosted by Mount Zion Chapter No. 133,
Order of the Eastern Star

Gold Country Past Master's Degree
12 February 2011, 6 PM
Idaho Springs Lodge No. 26
\$10 donation

Contacts

To contact Golden City Lodge No. 1 AF&AM,
Mt. Zion Chapter # 133 OES; Golden Chapter
#5 RAM, Jefferson Council #24 R&SM,
Jefferson Highlands Commandry #30,
Friendship Court #7 Amaranth, Job's Daughters,
Rainbow for Girls, DeMolay – leave a message
at 303-279-9902. Shrine Hospital or Burn
Center for Children 1-800-237-5055, Scottish
Rite Child Language Disorders Foundation 866-
289-6797, Robert Russell Eastern Star Masonic
Center and Village 303-756-9489

Brethren standing on any degree are always
welcome.

Any Brother who needs a ride to lodge, please
call the Worshipful Master at; 303-838-1725,
or the Secretary at 303-278-7362

Fees for the degrees are \$100 (\$50 EA, \$30 FC,
\$20 MM). Annual dues are \$35 plus per capita
(\$42 in 2011).

**GOLDEN CITY LODGE NO. 1, A.F. & A.M.
2010 OFFICERS**

WORSHIPFUL MASTER

Dan Hayman (Sue)303-838-1725
Dan.Hayman@Accomplishments.com.....Cell: 303-638-6381

SENIOR WARDEN

Leonard L. Walker303-548-9814

JUNIOR WARDEN

John O'Brine (Nancy)303-467-6825

TREASURER

Lloyd L. McKean (Marion)303-424-3021

SECRETARY

Byron G. Walker...303-278-7362
127 Burgess Ave., Golden 80401byronalice@msn.com

SENIOR DEACON

Christopher Westerhoff (Nancy)303-431-2204

JUNIOR DEACON

Neil Ramsey (Cathy) 303-279-2059
Cell: 303-995-7745

SENIOR STEWARD

Ricky Franklin (Aundrea) 720-348-0507

JUNIOR STEWARD

William Strotz (Kimberly)303-274-2541

CHAPLAIN

Melvin Gullett (Edith)720-536-8605

MARSHALL

Charles Noah (Jane).....303-733-2283

TYLER

James Arbuckle (Judy).....303-278-1077

DISTRICT LECTURER

Robert Heath303-431-1521