

**GOLDEN CITY LODGE NO. 1 A.F. & A.M. 2011  
STANDING COMMITTEES**

**WELFARE**

D. Hayman, WM (Chair)  
L. Walker, SW  
J. O'Brine, JW

**FINANCE**

J. O'Brine, JW (Chair)  
R. Pitcock  
D. Cooper

**MEMORIAL FUNDS**

J. O'Brine, SD (Chair)  
C. Westerhoff  
J. Arbuckle

**POSTING**

C. Westerhoff, SD (Chair)  
J. O'Brine  
M. Tims  
R. Wenzel

**GRIEVANCE**

L. Walker, SW (Chair)  
M. Smith  
M. Mues

**INVESTMENTS**

R. Wenzel (Chair)-  
-(2009-2011)  
D. Hayman (2010-2012)  
R. Pitcock (2011-2013)  
L. McKean (non-voting)

**2011 SPECIAL COMMITTEES**

**SESQUICENTENNIAL  
CELEBRATION**

D. Hayman (Chair)  
B. Walker  
N. Ramsey  
B. Strotz  
R. Wenzel  
J. Sellars

**FUNERALS**

D. Hayman, WM (Chair)  
L. Walker, SW  
J. O'Brine, JW  
B. Walker, Sec  
J. Arbuckle, Tiler

**DIRECTOR'S OF THE  
WORK**

M. Smith (Chair)  
Sr. Line Officers  
D. Cooper  
M. Mues  
B. Walker

**MASONIC EDUCATION**

M. Smith, (Chair)  
Line officers

**REFRESHMENTS**

J. O'Brine, (Chair)  
R. Franklin  
W. Strotz

**LIVING PAST MASTERS**

Merritt E. Smith:1967	Willis S. Sample:1995
Tommy R. Cook:1968	John A. McKenry III: 1996
Arthur R. Toney: 1974	Craig R. Petty: 1997
Gilbert A. Acevedo: 1975	E. Frederick Ernst: 1998
James K. Arbuckle: 1980	M. John Bernstein: 1999
Elmer E. King: 1981	Richard A. Cook: 2000
Elbert F. Floyd: 1983	Cliff Addenbrooke: 2001
Michael D. Mills:1984	Byron G. Walker: 2002
Timothy A. Johansson: 1985	Byron G. Walker: 2003
Wallace A. Techentien: 1988	Richard M. Wenzel: 2005
Charles W. Robinson: 1989	David A. Cooper: 2006
Ben H. Parker Jr.: 1990	Thomas E. Dunn: 2007
Marvin "Boots" Lewis: 1994	Thomas E. Dunn: 2008
	Michael Tims: 2009
	Richard M. Wenzel: 2010

**LIVING PAST MASTERS OF OTHER LODGES**

Howard Caldwell	Leonard Mohr
Wesley Campbell	Max Mues
Neil Colin	Charles Noah
Melvin D. Gullett	James Norris
Michael Halpin	Ronald Richards
Howard Hohnstein	Chris A. Westerhoff
John Hohnstein	
Lloyd McKean	

**GOLDEN MASONIC TEMPLE ASSOCIATION  
BOARD OF DIRECTORS**

D. Cooper, President (303-929-5486) (2008-2012)  
M.Tims, Vice President (303-932-1530) (Temple Scheduler)  
[mtmmt@msn.com](mailto:mtmmt@msn.com) (2010-2014)  
M. Smith, Sec/Treasurer, (303-423-8016) (2009-2013)  
R. Wenzel, (720-413-1790) (2011-2015)  
Craig Petty, (303-902-2862) (2010-2011)

**Temple Caretaker**

Leonard Walker  
303-548-9814  
Temple Telephone (303) 279-9902

**Golden City Lodge No. 1  
A.F. & A.M.  
400 Tenth Street  
Golden, Colorado 80401**

**Return Service Requested**

**NON-PROFIT ORG  
U.S. POSTAGE PAID  
GOLDEN, COLO.  
PERMIT No. 91**

**DATED MATERIAL**

**Golden City Lodge  
No. 1 A.F. & A.M.**



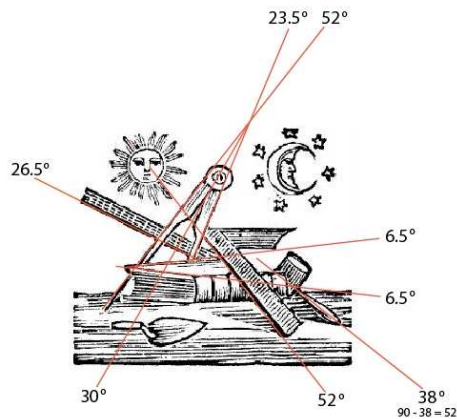
Chartered October 17, 1860

Masonic Temple Street Address  
400 Tenth Street  
Golden, Colorado

Masonic Temple Mailing Address  
Golden City Lodge No. 1 A.F. & A. M.  
400 Tenth Street  
Golden, Colorado 80401

Masonic Temple Telephone Number:  
(303) 279-9902

Please visit our web page:  
<http://GoldenCityLodgeNo1.org>



**GOLDEN CITY LODGE  
NO. 1 A.F. & A.M.**

MARCH 2011

**Monday, March 7, 2011**

Golden Masonic Temple  
6:00 PM Fellowship Dinner  
7:00 PM 3185<sup>th</sup> Stated Communication and  
Presentation by W.B. Jim Hickman on Aprons  
from Other Parts of the World.

**Monday, March 21, 2011**

Golden Masonic Temple  
6:00 PM Family/Friends Night Dinner  
7:00 PM 3186<sup>th</sup> Stated Communication and  
Grand Master's Monday Night Lodge Visitation  
**Family Night—ALL INVITED!**

**Youth Groups**

Bethel No. 43 Job's Daughters  
2nd & 4th Mondays, 7:00 PM

Golden Chapter Order of DeMolay  
1st and 3rd Wednesday, 7:00 PM

**Pancake Breakfast**

4th Sunday of every month,  
8:00 AM to 11:00 AM,  
Hosted by Mount Zion Chapter No. 133,  
Order of the Eastern Star

*Message of the Worshipful Master*

Brethren,

I have been thinking a lot lately about how best to promote further peace and harmony within our lodge. With that in mind, from where I am standing now, it seems as if our lodge is experiencing an age of greater peace and harmony. This warms my heart and makes me more proud of our lodge than ever before. With that in mind, we must always be conscious of the fact that we are human and when we feel hurt by another, we react. It's only natural. Taking this idea further, what happens when one Brother, intentionally or not, inflicts the ultimate betrayal on another? If we step back for a moment and ask, "What act could possibly constitute the 'ultimate betrayal' especially between Brothers?" I humbly submit that in my mind the answer can only be; when one Brother, intentionally or not, does not live up to the unspoken expectations, placed on him by another. Brothers, this is part of the human condition. We all do it and most of the time subconsciously. How then, is a man to meet such expectations even some of the time, let alone all of the time? For goodness sake, he doesn't even know what they are, or that they are expected!

So, now we go back to the poor Brother, on whom this betrayal has been inflicted. Being men, our first reaction is to be angry, frustrated, upset and hurt. The natural target of such emotions, or *passions*, is most often the (more often than not) unsuspecting Brother who did not live up to *another's* expectations. How might such a situation resolve itself in a manner consistent with keeping peace and harmony, not only in the lodge, but in our lives? While I cannot offer answers, I can offer some thoughts. The Work teaches us to *continually improve ourselves in Masonry*. A big part of that is not only listening and repeating the same words we hear at most meetings and degrees, but actually *thinking* about those words and what they mean. Example; without giving any secrets away, we are asked to *subdue our passions* and work at becoming better Masons—better men. Subduing our passions—giving ourselves a moment to *consider*, before reacting.

These actions often give us the time to recall that; 1) We are all good men, for if we were not, surely the Tiler would find himself employing that with which he has been charged. 2) We are all on the same team, the same level, brought together by our own choice and will to be Brothers. 3) By invoking a few moments of patience before reacting, time passes and if used wisely, time *often* leads to greater understanding. Finally, if you distill it all down, a very large part of the Work teaches us nothing less than to live life by the Golden Rule. Without making the effort to subdue our passions, The Golden Rule becomes little more than a Golden Ruler and that tool has its place in an entirely different part of the Work!

Fraternally,  
Daniel S. Hayman, Worshipful Master

**REMINDERS:**

- March 12<sup>th</sup>, participate in St Patrick's Day parade.
- March 25<sup>th</sup>, historical program: Teller, Byers, Chivington—Consistory Hosted.
- June 5<sup>th</sup>, Buffalo Bill Burial re-enactment Hosted by Golden City Lodge No. 1.
- June 16<sup>th</sup>, Masonic Family Picnic, hosted by Eastern Star Masonic Retirement Center.
- July 3-7, Imperial Shrine Reunion in Denver
- July 29 – 31, Buffalo Bill Days: hosted by City of Golden.
- August 2<sup>nd</sup>, 150<sup>th</sup> anniversary convention: contemporaneous meeting of all Lodges.
- August 6<sup>th</sup>, Anniversary Communication.
- December 10<sup>th</sup>, 150<sup>th</sup> Anniversary of the First Annual Communication of the Grand Lodge.

**SHRINE CIRCUS--April 15 – 17**

**Contacts**

To contact Golden City Lodge No. 1 AF&AM, Mt. Zion Chapter # 133 OES; Golden Chapter #5 RAM, Jefferson Council #24 R&SM, Jefferson Highlands Commandry #30, Friendship Court #7 Amaranth, Job's Daughters, Rainbow for Girls, DeMolay – leave a message at 303-279-9902. Shrine Hospital or Burn Center for Children 1-800-237-5055, Scottish Rite Child Language Disorders Foundation 866-289-6797, Robert Russell Eastern Star Masonic Center and Village 303-756-9489

Brethren standing on any degree are always welcome.

Any Brother who needs a ride to lodge, please call the Worshipful Master at; 303-838-1725, or the Secretary at 303-278-7362

Fees for the degrees are \$100 (\$50 EA, \$30 FC, \$20 MM). Annual dues are \$35 plus per capita (\$42 in 2011).

**GOLDEN CITY LODGE NO. 1, A.F. & A.M.  
2010 OFFICERS**

**WORSHIPFUL MASTER**

Dan Hayman (Sue) .....303-838-1725  
Dan.Hayman@Accomplishments.com.....Cell: 303-638-6381

**SENIOR WARDEN**

Leonard L. Walker .....303-448-5890

**JUNIOR WARDEN**

John O'Brine (Nancy) .....303-467-6825

**TREASURER**

Lloyd L. McKean (Marion) .....303-424-3021

**SECRETARY**

Byron G. Walker.....303-278-7362  
127 Burgess Ave., Golden 80401 .....byronalice@msn.com

**SENIOR DEACON**

Christopher Westerhoff (Nancy) .....303-431-2204

**JUNIOR DEACON**

Neil Ramsey (Cathy) ..... 303-279-2059  
Cell: 303-995-7745

**SENIOR STEWARD**

Ricky Franklin (Aundrea) ..... 720-348-0507

**JUNIOR STEWARD**

William Strotz (Kimberly) .....303-274-2541

**CHAPLAIN**

Melvin Gullett (Edith) .....720-536-8605

**MARSHALL**

Charles Noah (Jane).....303-733-2283

**TYLER**

James Arbuckle (Judy).....303-278-1077

**DISTRICT LECTURER**

Robert Heath .....303-431-1521