

**GOLDEN CITY LODGE NO. 1 A.F. & A.M. 2011
STANDING COMMITTEES**

WELFARE

D. Hayman, WM (Chair)
L. Walker, SW
J. O'Brine, JW

FINANCE

J. O'Brine, JW (Chair)
R. Pitcock
D. Cooper

MEMORIAL FUNDS

J. O'Brine, SD (Chair)
C. Westerhoff
J. Arbuckle

POSTING

C. Westerhoff, SD (Chair)
J. O'Brine
M. Tims
R. Wenzel

GRIEVANCE

L. Walker, SW (Chair)
M. Smith
M. Mues

INVESTMENTS

R. Wenzel (Chair)-
-(2009-2011)
D. Hayman (2010-2012)
R. Pitcock (2011-2013)
L. McKean (non-voting)

2011 SPECIAL COMMITTEES

**SESQUICENTENNIAL
CELEBRATION**

D. Hayman (Chair)
B. Walker
B. House
N. Ramsey
B. Strotz
R. Wenzel
R. Franklin

FUNERALS

D. Hayman, WM (Chair)
L. Walker, SW
J. O'Brine, JW
B. Walker, Sec
J. Arbuckle, Tyler

**DIRECTOR'S OF THE
WORK**

M. Smith (Chair)
Sr. Line Officers
D. Cooper
M. Mues
B. Walker

MASONIC EDUCATION

M. Smith, (Chair)
Line officers

REFRESHMENTS

J. O'Brine, (Chair)
R. Franklin
W. Strotz

LIVING PAST MASTERS

Merritt E. Smith:1967	John A. McKenry III: 1996
Tommy R. Cook:1968	Craig R. Petty: 1997
Arthur R. Toney: 1974	E. Frederick Ernst: 1998
Gilbert A. Acevedo: 1975	M. John Bernstein: 1999
James K. Arbuckle: 1980	Richard A. Cook: 2000
Elmer E. King: 1981	Cliff Addenbrooke: 2001
Elbert F. Floyd: 1983	Byron G. Walker: 2002
Michael D. Mills:1984	Byron G. Walker: 2003
Timothy Johansson: 1985	Richard M. Wenzel: 2005
Wallace Techentien: 1988	David A. Cooper: 2006
Charles W. Robinson: 1989	Thomas E. Dunn: 2007
Ben H. Parker Jr.: 1990	Thomas E. Dunn: 2008
Marvin Lewis: 1994	Michael Tims: 2009
Willis S. Sample:1995	Richard M. Wenzel: 2010

LIVING PAST MASTERS OF OTHER LODGES

Howard Caldwell	Leonard Mohr
Wesley Campbell	Max Mues
Neil Colin	Charles Noah
Melvin D. Gullett	James Norris
Michael Halpin	Ronald Richards
Howard Hohnstein	Chris A. Westerhoff
John Hohnstein	
Lloyd McKean	

**GOLDEN MASONIC TEMPLE ASSOCIATION
BOARD OF DIRECTORS**

D. Cooper, President (303-929-5486) (2008-2012)
M.Tims, Vice President (303-932-1530) (Temple Scheduler)
mtmtt@msn.com (2010-2014)
M. Smith, Sec/Treasurer, (303-423-8016) (2009-2013)
R. Wenzel, (720-413-1790) (2011-2015)
Craig Petty, (303-902-2862) (2010-2011)

Temple Caretaker

Leonard Walker
720-448-5890
Temple Telephone (303) 279-9902

NON-PROFIT ORG
U.S. POSTAGE PAID
GOLDEN, COLO.
PERMIT No. 91

DATED MATERIAL

Golden City Lodge No. 1
A.F. & A.M.
400 Tenth Street
Golden, Colorado 80401

Return Service Requested

Golden City Lodge
No. 1 A.F. & A.M.



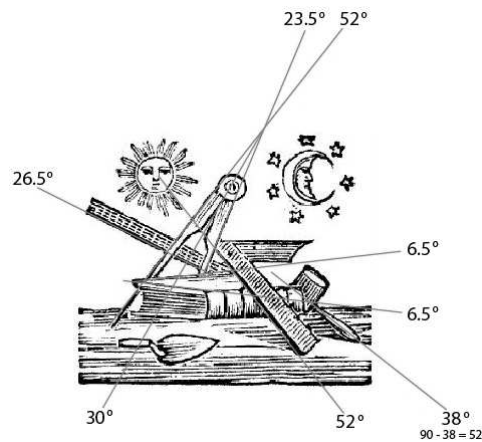
Chartered October 17, 1860

Masonic Temple Street Address
400 Tenth Street
Golden, Colorado

Masonic Temple Mailing Address
Golden City Lodge No. 1 A.F. & A. M.
400 Tenth Street
Golden, Colorado 80401

Masonic Temple Telephone Number:
(303) 279-9902

Please visit our web page:
<http://GoldenCityLodgeNo1.org>



**GOLDEN CITY LODGE
NO. 1 A.F. & A.M.**

May 2011

Monday, May 2, 2011

Golden Masonic Temple

6:00 PM Fellowship Dinner

7:00 PM 3189th Stated Communication and

Family and Friends Presentation Night:

Sgt. Rich Webb of JeffCo Sherriff's Dept.

presenting *Items found in Time Capsule*

buried by Golden City Lodge #1 and

located under old county courthouse.

Please tell any and all Brothers or those

interested in Masonry and/or Civic

History to come join us with their family

and friends.

Monday, May 16, 2011

Golden Masonic Temple

5:30 PM Light Snacks

6:00 PM FC Degree Work Commences

7:00 PM, 3190th Stated Communication

FC Degree Work

Message of the Worshipful Master

Brethren,



Fraternally,

Daniel S. Hayman, Worshipful Master

Brethren,

Please keep Brother Bill Strotz and his family in mind during this holiday season.

Donations are being accepted at any First Bank in a memorial trust fund, in the name of Bill's late wife; Kimberly Strotz.

REMINDERS:

Youth Groups

Bethel No. 43 Job's Daughters
2nd & 4th Mondays, 7:00 PM

Golden Chapter Order of DeMolay
1st and 3rd Wednesday, 7:00 PM

Pancake Breakfast

4th Sunday of every month,
8:00 AM to 11:00 AM,

hosted by Mount Zion Chapter No. 133,
Order of the Eastern Star

Contacts

To contact Golden City Lodge No. 1 AF&AM, Mt. Zion Chapter # 133 OES; Golden Chapter #5 RAM, Jefferson Council #24 R&SM, Jefferson Highlands Commandry #30, Friendship Court #7 Amaranth, Job's Daughters, Rainbow for Girls, DeMolay – leave a message at 303-279-9902. Shrine Hospital or Burn Center for Children 1-800-237-5055, Scottish Rite Child Language Disorders Foundation 866-289-6797, Robert Russell Eastern Star Masonic Center and Village 303-756-9489

Brethren standing on any degree are always welcome.

Any Brother who needs a ride to lodge, please call the Worshipful Master at; 303-838-1725, or the Secretary at 303-278-7362

Fees for the degrees are \$100 (\$50 EA, \$30 FC, \$20 MM). Annual dues are \$35 plus per capita (\$42 in 2011).

**GOLDEN CITY LODGE NO. 1, A.F. & A.M.
2010 OFFICERS**

WORSHIPFUL MASTER

Dan Hayman (Sue)303-838-1725
Dan.Hayman@Accomplishments.com.....Cell: 303-638-6381

SENIOR WARDEN

Leonard L. Walker720-448-5890

JUNIOR WARDEN

John O'Brine (Nancy)303-467-6825

TREASURER

Lloyd L. McKean (Marion)303-424-3021

SECRETARY

Byron G. Walker...303-278-7362
127 Burgess Ave., Golden 80401GoldenCityLodge@q.com

SENIOR DEACON

Christopher Westerhoff (Nancy)303-431-2204

JUNIOR DEACON

Neil Ramsey (Cathy) 303-279-2059
Cell: 303-995-7745

SENIOR STEWARD

Ricky Franklin (Aundrea) 720-348-0507

JUNIOR STEWARD

William Strotz303-274-2541

CHAPLAIN

Melvin Gullett (Edith)720-536-8605

MARSHALL

Charles Noah (Jane).....303-733-2283

TYLER

James Arbuckle (Judy)...303-278-1077

DISTRICT LECTURER

Robert Heath303-431-1521