

**GOLDEN CITY LODGE NO. 1 A.F. & A.M. 2011
STANDING COMMITTEES**

WELFARE

D. Hayman, WM (Chair)
L. Walker, SW
J. O'Brine, JW

FINANCE

J. O'Brine, JW (Chair)
R. Pitcock
D. Cooper

MEMORIAL FUNDS

J. O'Brine, SD (Chair)
C. Westerhoff
J. Arbuckle

POSTING

C. Westerhoff, SD (Chair)
J. O'Brine
M. Tims
R. Wenzel

GRIEVANCE

L. Walker, SW (Chair)
M. Smith
M. Mues

INVESTMENTS

R. Wenzel (Chair)-
-(2009-2011)
D. Hayman (2010-2012)
R. Pitcock (2011-2013)
L. McKean (non-voting)

Memorial

Kenneth J. Kirkpatrick
Born: November 11, 1926
Initiated: May 20, 1953
Passed: July 7, 1953
Raised: November 13, 1973
Entered the Celestial Lodge Above: September 6, 2011

LIVING PAST MASTERS

Merritt E. Smith:1967	John A. McKenry III: 1996
Tommy R. Cook:1968	Craig R. Petty: 1997
Arthur R. Toney: 1974	E. Frederick Ernst: 1998
Gilbert A. Acevedo: 1975	M. John Bernstein: 1999
James K. Arbuckle: 1980	Richard A. Cook: 2000
Elmer E. King: 1981	Cliff Addenbrooke: 2001
Elbert F. Floyd: 1983	Byron G. Walker: 2002
Michael D. Mills:1984	Byron G. Walker: 2003
Timothy Johansson: 1985	Richard M. Wenzel: 2005
Wallace Techentien: 1988	David A. Cooper: 2006
Charles W. Robinson: 1989	Thomas E. Dunn: 2007
Ben H. Parker Jr.: 1990	Thomas E. Dunn: 2008
Marvin Lewis: 1994	Michael Tims: 2009
Willis S. Sample:1995	Richard M. Wenzel: 2010

LIVING PAST MASTERS OF OTHER LODGES

Howard Caldwell	Leonard Mohr
Wesley Campbell	Max Mues
Neil Colin	Charles Noah
Melvin D. Gullett	James Norris
Michael Halpin	Ronald Richards
Howard Hohnstein	Chris A. Westerhoff
John Hohnstein	Lloyd McKean

**GOLDEN MASONIC TEMPLE ASSOCIATION
BOARD OF DIRECTORS**

D. Cooper, President (303-929-5486) (2008-2012)
M.Tims, Vice President (303-932-1530) (Temple Scheduler)
mtmmt@msn.com (2010-2014)
M. Smith, Sec/Treasurer, (303-423-8016) (2009-2013)
R. Wenzel, (720-413-1790) (2011-2015)
Craig Petty, (303-902-2862) (2010-2011)

Temple Caretaker

Craig Petty
(303) 902-2862
Temple Telephone (303) 279-9902

**Golden City Lodge No. 1
A.F. & A.M.
400 Tenth Street
Golden, Colorado 80401**

Return Service Requested

**NON-PROFIT ORG
U.S. POSTAGE PAID
GOLDEN, COLO.
PERMIT No. 91**

DATED MATERIAL

**Golden City Lodge
No. 1 A.F. & A.M.**



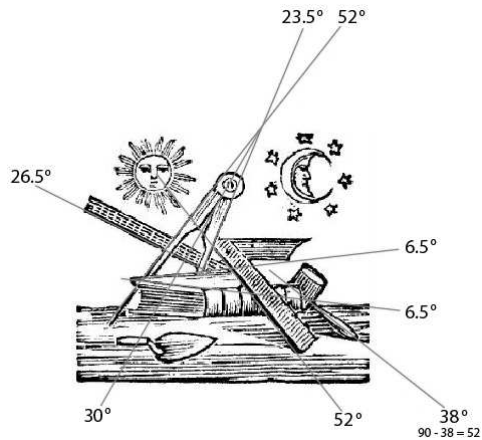
Chartered October 17, 1860

Masonic Temple Street Address
400 Tenth Street
Golden, Colorado

Masonic Temple Mailing Address
Golden City Lodge No. 1 A.F. & A. M.
400 Tenth Street
Golden, Colorado 80401

Masonic Temple Telephone Number:
(303) 279-9902

Please visit our web page:
<http://GoldenCityLodgeNo1.org>



**GOLDEN CITY LODGE
NO. 1 A.F. & A.M.**

NOVEMBER 2011

Monday, November 7th, 2011

Golden Masonic Temple
Last Family Night Of The Year:
Civil War And Masonry

A Presentation of Civil War History And Its
Connections With Freemasonry. Uniforms
And Other Historical Items Of The Time Will
Displayed Throughout The Presentation,
Headed up by Bros. Neil Ramsey
and Larry Olde.

6:00 PM Family Dinner
7:00 PM Presentation and
3195th Stated Communication

Monday, November 21st, 2011

Golden Masonic Temple
6:30 PM Light Snacks
7:00 PM, 3196th Stated Communication

**CHANGE IN THE WAY WE DISTRIBUTE TRESTLE
BOARDS?**

Brethren, a couple of years ago we made a cost/benefit analysis of sending out our trestle boards by e-mail. At that time, it was not cost effective. At the stated communication of 3 Oct 2011, 22 of the 23 members present indicated that they *could* receive the trestle board by e-mail. In view of this it may be time to reconsider. Each time we produce a Trestle Board, we prepare 300 copies and mail out about 275 copies, keeping 25 for distribution at our meetings, etc. Outsourced publishing currently costs around \$70/mo. Regarding mailing costs, we mail out about 245 copies at \$0.158 and 30 copies at \$0.174, for a monthly cost of approximately \$130 per month. Our bulk mail permit costs us \$185 per year. So our annual cost is somewhere around \$1,745.

To complete a current review, please contact the Secretary at e-mail goldencitylodge@q.com or telephone at 303-278-7362, and provide your name and a preferred option as follows:

1. I can and prefer to receive my Trestle Board by e-mail. My e-mail is _____
2. I can receive my Trestle Board by e-mail, but prefer to receive it by Postal mail.
My e-mail is: _____
3. I do not have e-mail, so please send me my Trestle Board by Postal mail. My Name is: _____
4. Other (please explain): _____

From the survey results, we will propose one of the following procedures: a) continuing what we are doing, b) print our own trestle board, fold and tab them in-house, c) cancel our bulk mail permit, etc. and distribute them by email OR a combination of email and Postal mailings. The cost of USPS mailed Trestle Boards would rise to \$0.44 each under this last scenario. Whatever the Lodge decides, all members of Golden City Lodge Number 1 and candidates will continue to receive a trestle board. If you are not a member of Golden City Lodge Number 1, but wish to keep receiving a copy of our trestle board, please indicate so by participating in this survey.

REMINDERS:

Youth Groups

Bethel No. 43 Job's Daughters
2nd & 4th Mondays, 7:00 PM

Golden Chapter Order of DeMolay
1st and 3rd Wednesday, 7:00 PM

Pancake Breakfast

4th Sunday of every month,
8:00 AM to 11:00 AM,
Hosted by Mount Zion Chapter No. 133,
Order of the Eastern Star

Contacts

To contact Golden City Lodge No. 1 AF&AM, Mt. Zion Chapter # 133 OES; Golden Chapter #5 RAM, Jefferson Council #24 R&SM, Jefferson Highlands Commandry #30, Friendship Court #7 Amaranth, Job's Daughters, Rainbow for Girls, DeMolay – leave a message at 303-279-9902. Shrine Hospital or Burn Center for Children 1-800-237-5055, Scottish Rite Child Language Disorders Foundation 866-289-6797, Robert Russell Eastern Star Masonic Center and Village 303-756-9489

Brethren standing on any degree are always welcome.

Any Brother who needs a ride to lodge, please call the Worshipful Master at; 303-838-1725, or the Secretary at 303-278-7362

Fees for the degrees are \$100 (\$50 EA, \$30 FC, \$20 MM). Annual dues are \$35 plus per capita (\$42 in 2011).

**GOLDEN CITY LODGE NO. 1, A.F. & A.M.
2010 OFFICERS**

WORSHIPFUL MASTER

Daniel Hayman (Sue)303-838-1725
Dan.Hayman@Accomplishments.com.....Cell: 303-638-6381

SENIOR WARDEN

Leonard L. Walker720-448-5890

JUNIOR WARDEN

John O'Brine (Nancy)303-467-6825

TREASURER

Lloyd L. McKean (Marion)303-424-3021

SECRETARY

Byron G. Walker.....303-278-7362
27 Burgess Ave., Golden 80401byronalice@msn.com

SENIOR DEACON

Christopher Westerhoff (Nancy)303-431-2204

JUNIOR DEACON

Neil Ramsey (Cathy) 303-279-2059
Cell: 303-995-7745

SENIOR STEWARD

Ricky Franklin (Aundrea) 720-348-0507

JUNIOR STEWARD

William Strotz.....303-274-2541

CHAPLAIN

Melvin Gullett (Edith)720-536-8605

MARSHALL

Charles Noah (Jane).....303-733-2283

TYLER

James Arbuckle (Judy)303-278-1077

DISTRICT LECTURER

Robert Heath303-431-1521