

**GOLDEN CITY LODGE NO. 1 A.F. & A.M. 2011  
STANDING COMMITTEES**

**WELFARE**

D. Hayman, WM (Chair)  
L. Walker, SW  
J. O'Brine, JW

**FINANCE**

J. O'Brine, JW (Chair)  
R. Pitcock  
D. Cooper

**MEMORIAL FUNDS**

J. O'Brine, SD (Chair)  
C. Westerhoff  
J. Arbuckle

**POSTING**

C. Westerhoff, SD (Chair)  
J. O'Brine  
M. Tims  
R. Wenzel

**GRIEVANCE**

L. Walker, SW (Chair)  
M. Smith  
M. Mues

**INVESTMENTS**

R. Wenzel (Chair)-  
-(2009-2011)  
D. Hayman (2010-2012)  
R. Pitcock (2011-2013)  
L. McKean (non-voting)

**Memorial**

Richard Allan Cook  
Born: April 15, 1934  
Initiated: January 13, 1992  
Passed: February 24, 1992  
Raised: April 13, 1992  
Worshipful Master 2000  
Entered the Celestial Lodge  
Above: October 28, 2011

**LIVING PAST MASTERS**

Merritt E. Smith:1967	John A. McKenry III: 1996
Tommy R. Cook:1968	Craig R. Petty: 1997
Arthur R. Toney: 1974	E. Frederick Ernst: 1998
Gilbert A. Acevedo: 1975	M. John Bernstein: 1999
James K. Arbuckle: 1980	Cliff Addenbrooke: 2001
Elmer E. King: 1981	Byron G. Walker: 2002
Elbert F. Floyd: 1983	Byron G. Walker: 2003
Michael D. Mills:1984	Richard M. Wenzel: 2005
Timothy Johansson: 1985	David A. Cooper: 2006
Wallace Techentien: 1988	Thomas E. Dunn: 2007
Charles W. Robinson: 1989	Thomas E. Dunn: 2008
Ben H. Parker Jr.: 1990	Michael Tims: 2009
Marvin Lewis: 1994	Richard M. Wenzel: 2010
Willis S. Sample:1995	

**LIVING PAST MASTERS OF OTHER LODGES**

Howard Caldwell	Leonard Mohr
Wesley Campbell	Max Mues
Neil Colin	Charles Noah
Melvin D. Gullett	James Norris
Michael Halpin	Ronald Richards
Howard Hohnstein	Chris A. Westerhoff
John Hohnstein	Lloyd McKean

**GOLDEN MASONIC TEMPLE ASSOCIATION  
BOARD OF DIRECTORS**

D. Cooper, President (303-929-5486) (2008-2012)  
M.Tims, Vice President (303-932-1530) (Temple Scheduler)  
[tmtmmt@msn.com](mailto:tmtmmt@msn.com) (2010-2014)  
M. Smith, Sec/Treasurer, (303-423-8016) (2009-2013)  
R. Wenzel, (720-413-1790) (2011-2015)  
Craig Petty, (303-902-2862) (2010-2011)

**Temple Caretaker**

Craig Petty  
(303) 902-2862  
Temple Telephone (303) 279-9902

**Golden City Lodge No. 1  
A.F. & A.M.  
400 Tenth Street  
Golden, Colorado 80401**

**Return Service Requested**

**NON-PROFIT ORG  
U.S. POSTAGE PAID  
GOLDEN, COLO.  
PERMIT No. 91**

**DATED MATERIAL**

**Golden City Lodge  
No. 1 A.F. & A.M.**



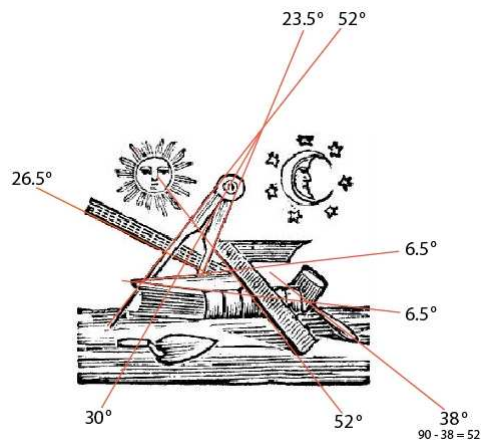
Chartered October 17, 1860

Masonic Temple Street Address  
400 Tenth Street  
Golden, Colorado

Masonic Temple Mailing Address  
Golden City Lodge No. 1 A.F. & A. M.  
400 Tenth Street  
Golden, Colorado 80401

Masonic Temple Telephone Number:  
(303) 279-9902

Please visit our web page:  
<http://GoldenCityLodgeNo1.org>



**GOLDEN CITY LODGE  
NO. 1 A.F. & A.M.**

**DECEMBER 2011**

**Monday, December 5<sup>th</sup>, 2011**

Golden Masonic Temple  
6:00 PM Brotherhood Dinner  
7:00 PM 3197<sup>th</sup> Stated Communication  
Annual Reports and Election of Officers

**Monday, December 19<sup>st</sup>, 2011**

Golden Masonic Temple  
6:00 PM Widow's Recognition Dinner\*  
7:00 PM, 3198<sup>th</sup> Stated Communication  
Recognition of Widows\*  
2011 Memorial Service\*  
Open Installation of Officers\*

*\*open to guests and visitors*

Brethren, if you have not already done so, please contact the Secretary with a preference for e-mail or hard copy postal mail for your trestle board.

*Message of the Worshipful Master*

Brethren,

A few potential axioms to consider:

- The more people watching a typist type, the slower and less accurate the typist will type.
- The more people watching a speaker speak; the less well-spoken the speaker speaks.
- The busier (and older) a person becomes, the faster time seems to pass by.

And so, my Brethren, another year seems to hardly have started, before it has once again ended. At the same time, as I look back over the last year, I see and feel how much we have accomplished. Between honoring Buffalo Bill and our Grand Lodge's Sesquicentennial birthday, to launching new programs like our monthly presentations and that program's inherent ability to increase family night participation. We also initiated an unusually large number of men, who I am now proud to call Brothers. Continuing the momentum and groundwork laid by recent Past Masters, we were able to better organize and define specific direction for many of our most important committees. One very important and visible outcome of this is the adoption of a yearly budget, made public and voted on by the Brethren, along with a well-defined process for dealing with expenditures which fall outside of said budget. There are so many other examples; they cannot possibly be listed all here and now. The important part is that none of this would have been possible without Lodge interest, participation and support. For this, and so much more, I applaud you and offer you all, a hearty; "Job Well done!" Each of you, individually and in your own way, as well as all of you, as a Lodge, helped to make my time in the East as special as the rare gift which *is* the experience, in and of it self. Finally, as hard as it is to leave such a rich experience, I take great comfort in knowing that those who follow are eager and qualified. I have every faith that the momentum which is in place will continue to grow under the leadership and stewardship of those who follow, while at the same time preserving the traditions which are so important and identify us as Golden City Lodge #1.

*In Friendship, Support and Brotherly Love, I thank you.*

Daniel S. Hayman, WM 2011

**REMINDERS:**

**Youth Groups**

Bethel No. 43 Job's Daughters  
2nd & 4th Mondays, 7:00 PM

Golden Chapter Order of DeMolay  
1st and 3rd Wednesday, 7:00 PM

**Pancake Breakfast**

4th Sunday of every month,  
8:00 AM to 11:00 AM,  
Hosted by Mount Zion Chapter No. 133,  
Order of the Eastern Star

**Contacts**

To contact Golden City Lodge No. 1 AF&AM, Mt. Zion Chapter # 133 OES; Golden Chapter #5 RAM, Jefferson Council #24 R&SM, Jefferson Highlands Commandry #30, Friendship Court #7 Amaranth, Job's Daughters, Rainbow for Girls, DeMolay – leave a message at 303-279-9902. Shrine Hospital or Burn Center for Children 1-800-237-5055, Scottish Rite Child Language Disorders Foundation 866-289-6797, Robert Russell Eastern Star Masonic Center and Village 303-756-9489

Brethren standing on any degree are always welcome.

Any Brother who needs a ride to lodge, please call the Worshipful Master at; 303-838-1725, or the Secretary at 303-278-7362

Fees for the degrees are \$100 (\$50 EA, \$30 FC, \$20 MM). Annual dues are \$35 plus per capita (\$42 in 2011).

**GOLDEN CITY LODGE NO. 1, A.F. & A.M.  
2010 OFFICERS**

**WORSHIPFUL MASTER**

Daniel Hayman (Sue) .....303-838-1725  
Dan.Hayman@Accomplishments.com.....Cell: 303-638-6381

**SENIOR WARDEN**

Leonard L. Walker .....720-448-5890

**JUNIOR WARDEN**

John O'Brine (Nancy) .....303-467-6825

**TREASURER**

Lloyd L. McKean (Marion) .....303-424-3021

**SECRETARY**

Byron G. Walker.....303-278-7362  
27 Burgess Ave., Golden 80401 .....byronalice@msn.com

**SENIOR DEACON**

Christopher Westerhoff (Nancy) .....303-431-2204

**JUNIOR DEACON**

Neil Ramsey (Cathy) ..... 303-279-2059  
Cell: 303-995-7745

**SENIOR STEWARD**

Ricky Franklin (Aundrea) ..... 720-348-0507

**JUNIOR STEWARD**

William Strotz ..... 303-274-2541

**CHAPLAIN**

Melvin Gullett (Edith) .....720-536-8605

**MARSHALL**

Charles Noah (Jane).....303-733-2283

**TYLER**

James Arbuckle (Judy) .....303-278-1077

**DISTRICT LECTURER**

Robert Heath .....303-431-1521