

**GOLDEN CITY LODGE NO. 1 A.F. & A.M. 2012
STANDING COMMITTEES**

WELFARE

J. O'Brine, WM (Chair)
C. Westerhoff, SW
S. Walker, JW

FINANCE

S. Walker, JW (Chair)
R. Pitcock
J. Bartos

MEMORIAL FUNDS

J. O'Brine, WM (Chair)
C. Westerhoff
J. Bartos

POSTING

N. Ramsey, SD (Chair)(EA)
R. Ceriale SS (FC)
R. Franklin, JD (MM)
C. Westerhoff, SW

GRIEVANCE

C. Westerhoff, SW (Chair)
M. Smith
M. Mues

INVESTMENTS

D. Hayman (Ch) (2010-12)
R. Pitcock (2011-13)
R. Ceriale (2012-14)
L. McKean (non-voting)

Memorial

Robert G. Troxler
Born: July 11, 1927
Initiated: January 12, 1976
Passed: March 15, 1976
Raised: April 10, 1976
Entered the Celestial Lodge
Above: November 19, 2011

Widows

Betty Bennecki
Jane Gardner
Joyce White
Sue Wellborn

LIVING PAST MASTERS

Merritt E. Smith:1967	John A. McKenry: 1996
Tommy R. Cook:1968	Craig R. Petty: 1997
Arthur R. Toney: 1974	E. Frederick Ernst: 1998
Gilbert A. Acevedo: 1975	M. John Bernstein: 1999
James K. Arbuckle: 1980	Cliff Addenbrooke: 2001
Elmer E. King: 1981	Byron G. Walker: 2002
Elbert F. Floyd: 1983	Byron G. Walker: 2003
Michael D. Mills:1984	Richard M. Wenzel: 2005
Timothy Johansson: 1985	David A. Cooper: 2006
Wallace Techentien: 1988	Thomas E. Dunn: 2007
Charles Robinson: 1989	Thomas E. Dunn: 2008
Ben H. Parker Jr.: 1990	Michael Tims: 2009
Marvin Lewis: 1994	Richard M. Wenzel: 2010
Willis S. Sample:1995	Daniel S. Hayman: 2011

LIVING PAST MASTERS OF OTHER LODGES

Howard Caldwell	Leonard Mohr
Wesley Campbell	Max Mues
Neil Colin	Charles Noah
Melvin D. Gullett	James Norris
Michael Halpin	Ronald Richards
Howard Hohnstein	Chris A. Westerhoff
John Hohnstein	Lloyd McKean

**GOLDEN MASONIC TEMPLE ASSOCIATION
BOARD OF DIRECTORS**

D. Cooper, President (303-929-5486) (2008-2012)
M. Smith, Sec/Treasurer, (303-423-8016) (2009-2013)
M.Tims, Vice President (303-932-1530) (2010-2014)
(Temple Scheduler) tmmt@msn.com
R. Wenzel, (720-413-1790) (2011-2015)
Craig Petty, (303-902-2862) (2012-2016)

Temple Caretaker

Craig Petty
(303) 902-2862
Temple Telephone (303) 279-9902

**Golden City Lodge No. 1
A.F. & A.M.
400 Tenth Street
Golden, Colorado 80401**

Return Service Requested

**NON-PROFIT ORG
U.S. POSTAGE PAID
GOLDEN, COLO.
PERMIT No. 91**

DATED MATERIAL

**Golden City Lodge
No. 1 A.F. & A.M.**



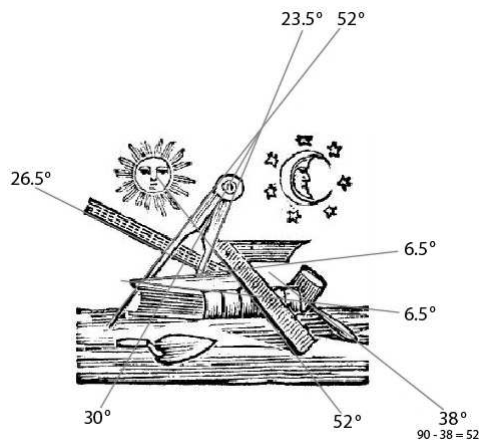
Chartered October 17, 1860

Masonic Temple Street Address
400 Tenth Street
Golden, Colorado

Masonic Temple Mailing Address
Golden City Lodge No. 1 A.F. & A. M.
400 Tenth Street
Golden, Colorado 80401

Masonic Temple Telephone Number:
(303) 279-9902

Please visit our web page:
<http://GoldenCityLodgeNo1.org>



Message of the Worshipful Master

Brethren,

First of all, I want to thank all of you Brothers that elected me to be your Master next year.

This past year was a very busy year for most of us at Golden City Lodge. We had a total of twelve new Brothers come in to our lodge, Five were passed to the Degree of FC, and five to MM. Four were declared proficient. Four MM joined us by affiliation.

We all look back to our Past Master Dan Hayman, who did a masterful job of Worshipful Master of Golden Lodge Number 1. Good work, Worshipful Brother Dan. I know I will be asking for some help from you this year.

This year there will be three Master Masons doing the posting work on the new brothers. I am looking to a good year for those doing their proficiencies

Alas Brothers, as we trudge though the cold nights and days of December, try to lift our sprits by thinking of those spring days that turn our trees and shrubs into the finest of colors, when we can put a way our show shovels, and get out our lawn mowers. I am ready. How about you?

Looking forward to seeing you Brothers in lodge.

Fraternally.

John O'Brine.
Worshipful Master.

Lodge Items for Sale	
Golden Lodge Logo T-shirts	\$10.00
Golden Lodge Logo Polo-shirts	\$15.00
Further Light (booklet)	\$ 8.00
Clear Text Key (MM)	\$28.00

**GOLDEN CITY LODGE
NO. 1 A.F. & A.M.**

JANUARY 2012

**Lodge is at Recess
Monday, January 2, 2012
Happy New Year!**

Monday, January 16, 2012
Golden Masonic Temple
6:30 PM Light Refreshments
7:00 PM 3199th Stated Communication

REMINDERS:

Youth Groups

Bethel No. 43 Job's Daughters
2nd & 4th Mondays, 7:00 PM

Golden Chapter Order of DeMolay
1st and 3rd Wednesday, 7:00 PM

Pancake Breakfast

4th Sunday of every month,
8:00 AM to 11:00 AM,
Hosted by Mount Zion Chapter No. 133,
Order of the Eastern Star

Contacts

To contact Golden City Lodge No. 1 AF&AM, Mt. Zion Chapter # 133 OES; Golden Chapter #5 RAM, Jefferson Council #24 R&SM, Jefferson Highlands Commandry #30, Friendship Court #7 Amaranth, Job's Daughters, Rainbow for Girls, DeMolay – leave a message at 303-279-9902. Shrine Hospital or Burn Center for Children 1-800-237-5055, Scottish Rite Child Language Disorders Foundation 866-289-6797, Robert Russell Eastern Star Masonic Center and Village 303-756-9489

Brethren standing on any degree are always welcome.

Any Brother who needs a ride to lodge, please call the Worshipful Master at; 303-467-6825, or the Secretary at 303-278-7362

Fees for the degrees are \$100 (\$50 EA, \$30 FC, \$20 MM). Annual dues are \$35 plus per capita (\$46 in 2012).

**GOLDEN CITY LODGE NO. 1, A.F. & A.M.
2010 OFFICERS**

WORSHIPFUL MASTER

John O'Brine (Nancy)303-467-6825 J.Obrine@Q.com

SENIOR WARDEN

Christopher Westerhoff (Nancy).....303-431-2204

JUNIOR WARDEN

Steven A. Walker.....720-275-5398

TREASURER

Lloyd L. McKean (Marion)303-424-3021

SECRETARY

Byron G. Walker.....303-278-7362
127 Burgess Ave., Golden 8040..... goldencitylodge@q.com

SENIOR DEACON

Neil Ramsey (Cathy) 303-995-7745

JUNIOR DEACON

Ricky Franklin (Aundrea) 720-348-0507

SENIOR STEWARD

Robert Ceriale..... 303-565-0000

JUNIOR STEWARD

Ronald Pitcock000-000-0000

CHAPLAIN

Melvin Gullett (Edith)720-536-8605

MARSHALL

Kevin Alcox (Carla)..... 303-886-8415

TYLER

Jonathan Sellars 303-210-3211

DISTRICT LECTURER

Robert Heath303-431-1521